

### Increase speaker coverage at a fraction of the cost

Up to three satellite speakers can be powered and supervised by a main Algo IP speaker. Together, all speakers will broadcast the same voice page or audio file. Satellite speakers are equal in audio performance and identical in form factor to the main IP speaker, maintaining the benefits and advantages of IP paging without the additional costs of network ports, cable drops, and additional licenses.



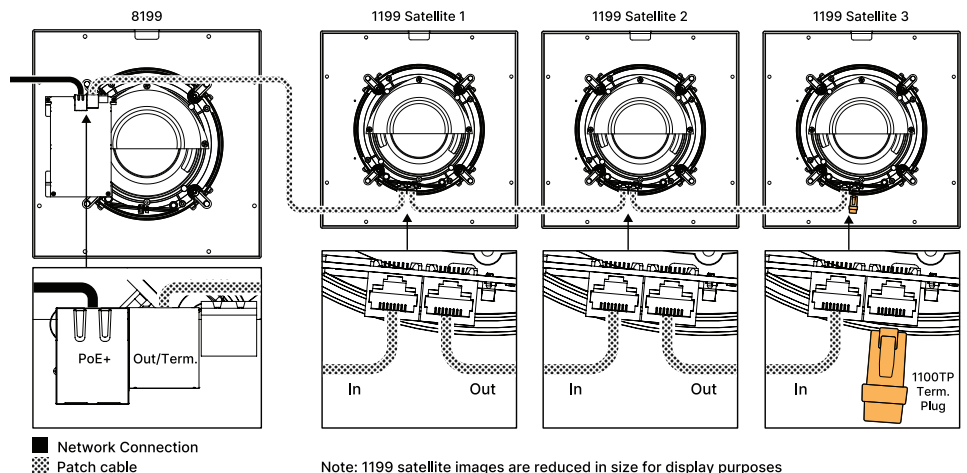
Main IP Speaker	Satellite Speaker	Application
8196 IP PoE+ Horn Speaker	1196 Satellite Horn Speaker	Noisy environments (e.g. warehouse, gymnasium)
8198 IP PoE+ Ceiling Speaker	1198 Satellite Ceiling Speaker	Indoor environments with drop ceilings (e.g. offices, school)
8197 IP PoE+ Weather Hardened Horn Speaker*	1197 Satellite Weather Hardened Horn Speaker*	Outdoors in harsh weather (e.g. ship yard, sports field)
8199 IP PoE+ Surface Mount Speaker*	1199 Satellite Surface Mount Speaker*	Indoor environments with solid walls or ceilings such as brick or concrete (e.g. offices, school)

\*COMING SOON

### Important Notes

- The termination plug must be used in the final connected satellite speaker
- The distance between the first (main IP) speaker and last satellite speaker cannot be more than 150 ft.
- Power to each speaker is equivalent to the power source divided by the number of speakers (ie. 16 W power source with 4 speakers total = 4 W per speaker)
- Equivalent standalone IP speakers (818X) cannot be used in a satellite speaker daisy chain

### Example Satellite Speaker Connection



Note: 1199 satellite images are reduced in size for display purposes