

ALGO



Paging Adapter Amplifier Integration Guide

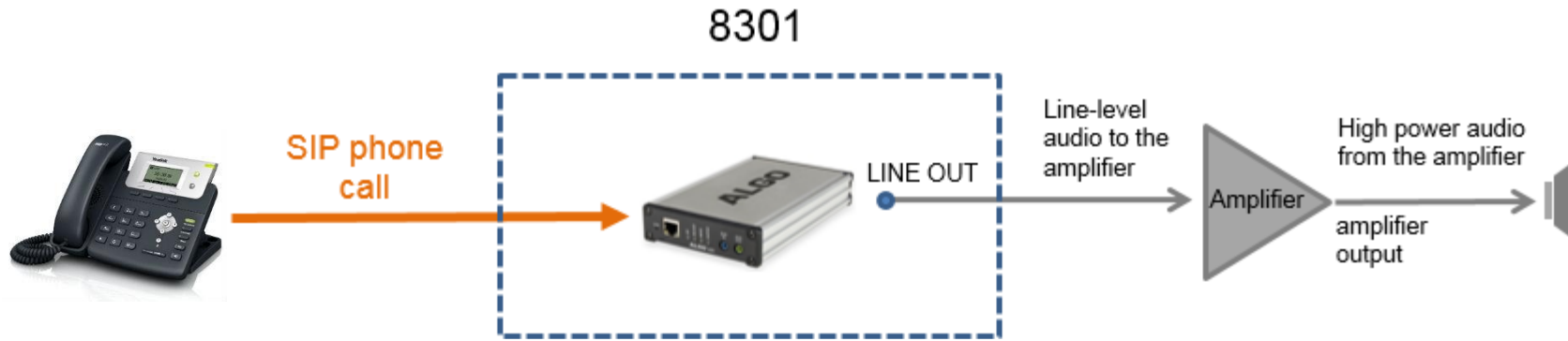
- **Paging Adapter Hardware Interface**
 - **8301 Paging Adapter & Scheduler.....7**
 - **Typical Application.....8**
 - **8373 Zone Paging Adapter.....9**
 - **Hybrid IP & Analog Infrastructure Integration.....11**
- **Paging Amplifier Wiring Diagrams**
 - **Adastra RM60/120/240S with 8301.....13**
 - **Adastra RM60/120/240S with 8373.....14**
 - **AT&T/Lucent PagePal with 8301.....15**
 - **AT&T PagePac 20 PowerMate with 8301.....16**
 - **AT&T PagePac Plus Amplicenter with 8301.....17**
 - **Bogen C35/C60/C100 with 8301.....18**
 - **Bogen C10/C20 with 8301.....19**
 - **Bogen GS35/GS60/GS100/GS150/GS250 with 8301.....20**

- **Bogen PCM2000 with 8301.....21**
- **Bogen TPU-35/60/100/250 with 8301.....22**
- **Bogen TPU-35/60/100/250 with 8373.....23**
- **Bogen UTI1 with 8301.....24**
- **Bose FreeSpace 6 with 8301.....25**
- **Crown 135MA/160MA with 8301.....26**
- **Crown CDI 1000/2000/4000 with 8301.....27**
- **Inter-M PA-920/935 with 8301.....28**
- **Inter-M PA-60/120/240 with 8301.....29**
- **JW Davis D-250 AL with 8301.....30**
- **Paso 3000 Series BGM (Muzak 3000) with 830.....31**
- **Paso T3015DMA/T3030DMA with 8301.....32**
- **Electronics Axiom 60/125/250/500 with 8301.....33**
- **Quest Commercial PR-120/PR-240 with 8.....34**

- TOA BG-115/130 with 8301.....35
- TOA BG-220/235 with 8301.....36
- TOA BG-1015/1030/1060/1120 with 8301.....37
- TOA BG-2035/2060/2120 with 8301.....38
- TOA 500 Series with 8301.....39
- TOA 900 Series (Part A) with 8301.....40
- TOA 900 Series (Part B) with 8301.....41
- Valcom V-2000a with 8301.....42
- Valcom V-2001a with 8301.....43
- Valcom V-2003A with 8301.....44
- Valcom V-2006A with 8301.....45
- Valcom V-1094A with 8301.....46
- Valcom VIP-801A with 8301.....47

- Viking PA-2A with 8301.....48
- Viking PA-15 with 8301.....49
- Viking PA-60 with 8301.....50

Paging Adapter Hardware Interface



- SIP (50 Page ext., 10 Emergency Alert ext. & 10 Ring ext.)
- Multicast Send & Receive
- Scheduler for Automated Tones & Announcements
- 1GB Memory



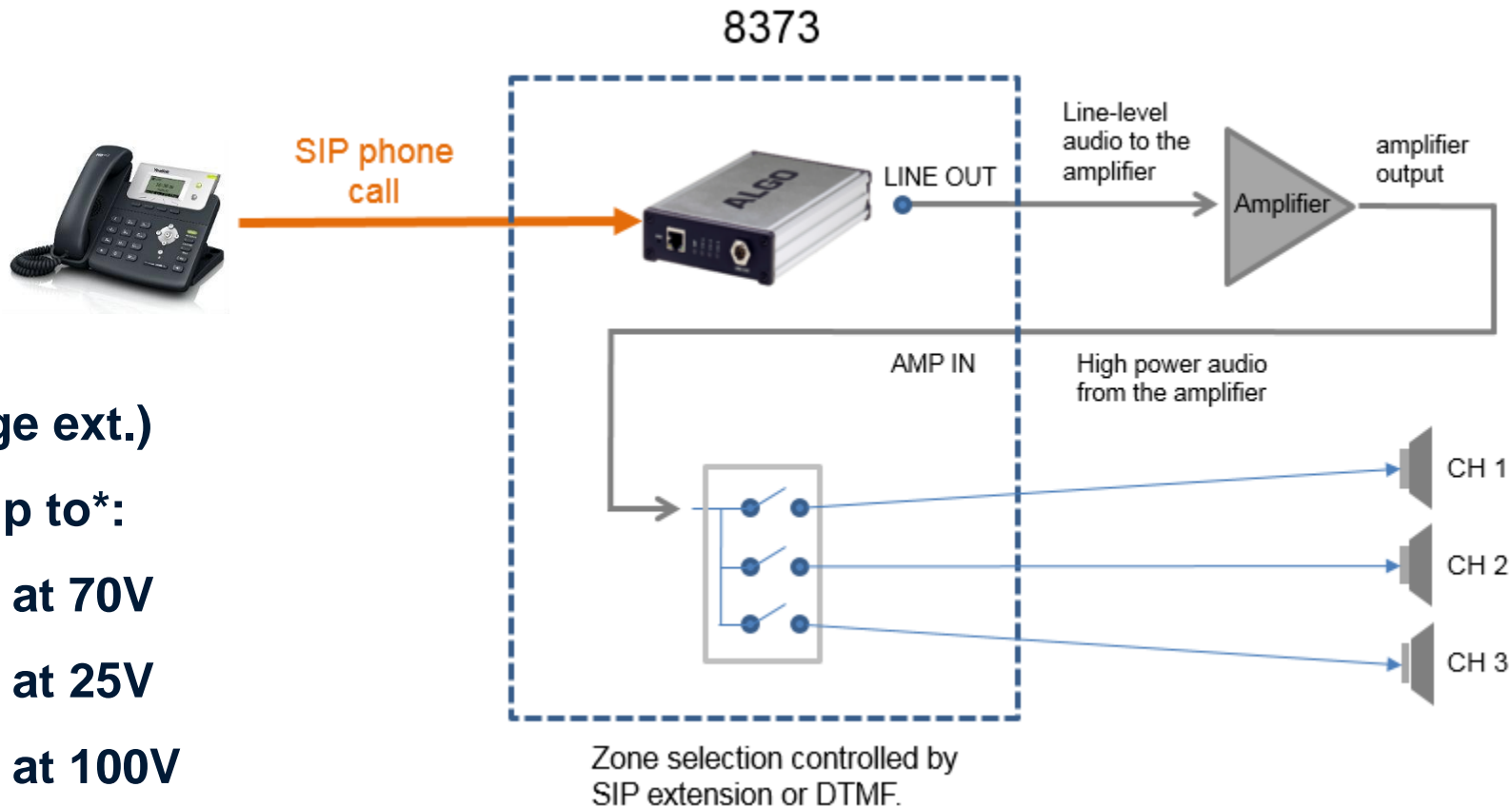
Front View

Music Input



Rear View

- The 8301 is used to connect an existing paging amplifier to a UC environment either as a SIP extension or multicast endpoint for voice paging, emergency alerting, night bell / loud ringing, bell scheduling and/or playing music. It provides a hybrid voice paging solution to integrate analog speaker infrastructure and multicast to Algo IP speakers, strobe lights and paging adapters, in addition to multicast supported IP telephones.
- The Line output of the 8301 is connected directly to the dry audio input on an amplifier with an input impedance between 600 Ohm and 10 kOhm.
- For amplifiers connected directly to the dry page port of an existing telephone system, the 8301 will provide a very similar interface providing both dry page audio and dry contact closure to activate the amplifier (if required).
- For amplifiers connected to a FXS port of ATA through a “telephone answering device”, the 8301 will replace the answering device and eliminate the need for a FXS port or ATA. Please note the 8301 does not provide a FXS port interface.

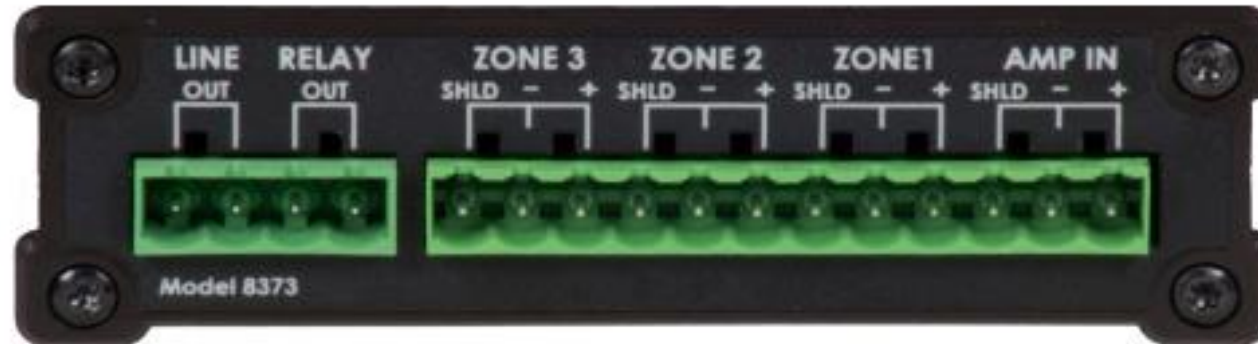


- SIP (50 Page ext.)
- Switches up to*:
 - 500W at 70V
 - 180W at 25V
 - 720W at 100V
- Multicast Send & Receive

8373 Zone Paging Adapter



Front View



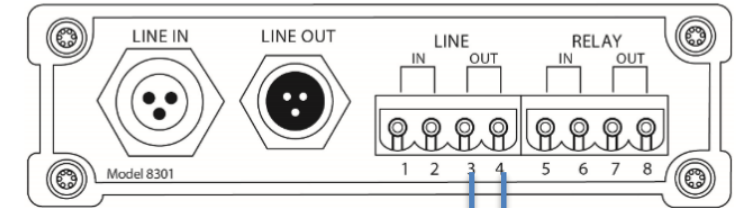
Rear View

Hybrid IP & Analog Infrastructure Integration



Paging Amplifier Wiring Diagrams

8301 Installation with Adastra RM60/120/240S



Recommended: use an aux cable and strip the leads on one end. Connect the positive and negative (usually red and black) terminals to the Line Out.

To connect the other end to the amplifier input Mic/Line 2, use a 3.5 mm to 6.3 mm adapter.

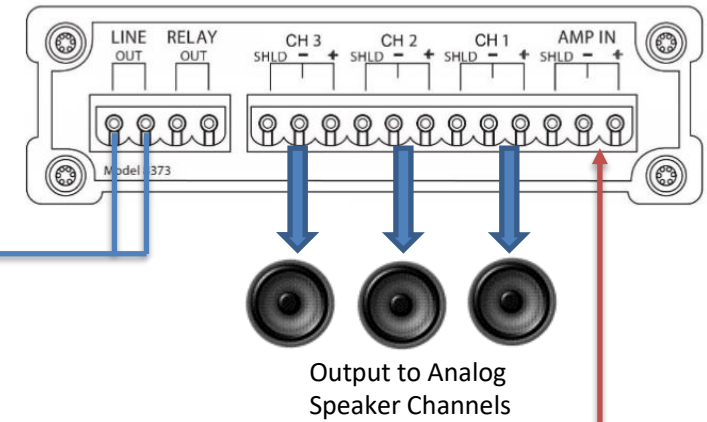


On the 8301 web interface, go to Basic Settings -> Features and set the Line Out Analog Output Level to "0dBm 600 ohm (0.775 Vrms)".

8373 Installation with Adastra RM60/120/240S



Output from
Amplifier
(25/70/100V)



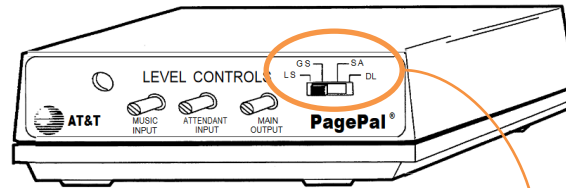
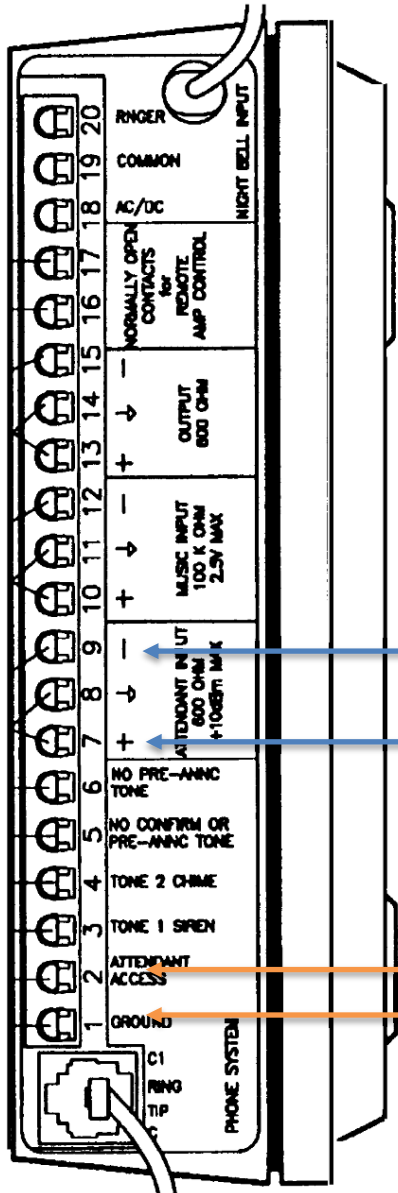
Recommended: use an aux cable and strip the leads on one end. Connect the positive and negative (usually red and black) terminals to the Line Out.

To connect the other end to the amplifier input Mic/Line 2, use a 3.5 mm to 6.3 mm adapter.

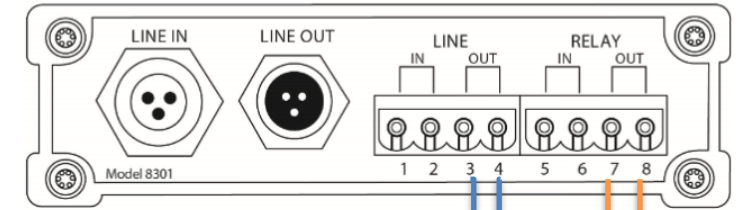


On the 8373 web interface, go to Basic Settings -> Features and set the Line Out Analog Output Level to "0dBm 600 ohm (0.775 Vrms)".

8301 Installation with AT&T/Lucent PagePal

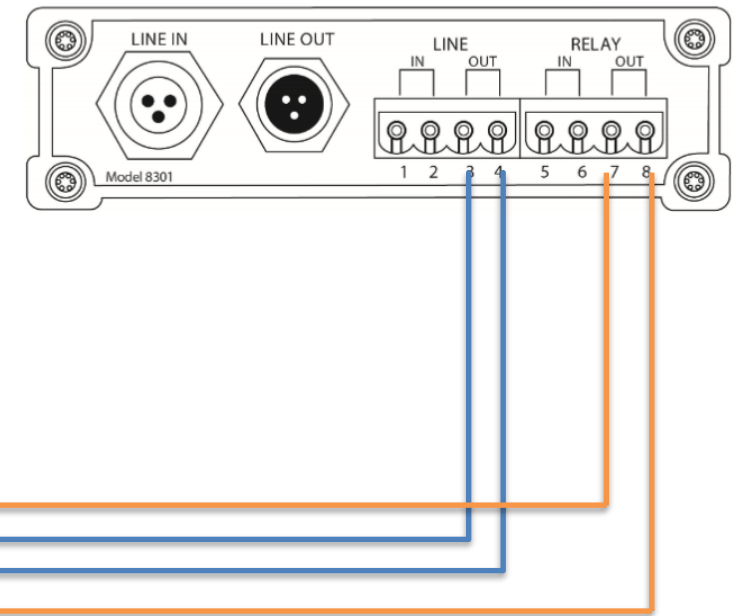
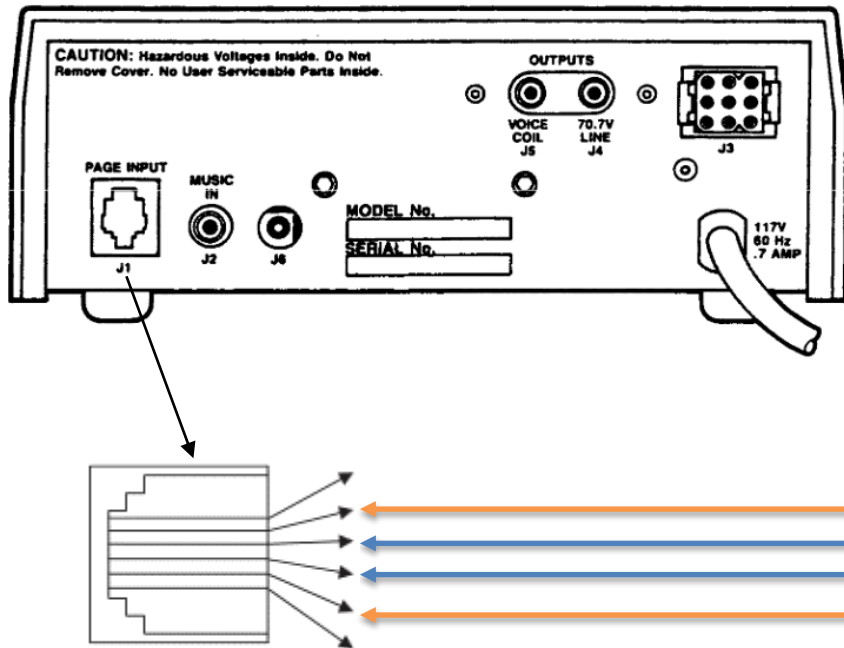


Set the PagePal to DL (Dry Loop) mode using the switch in the front



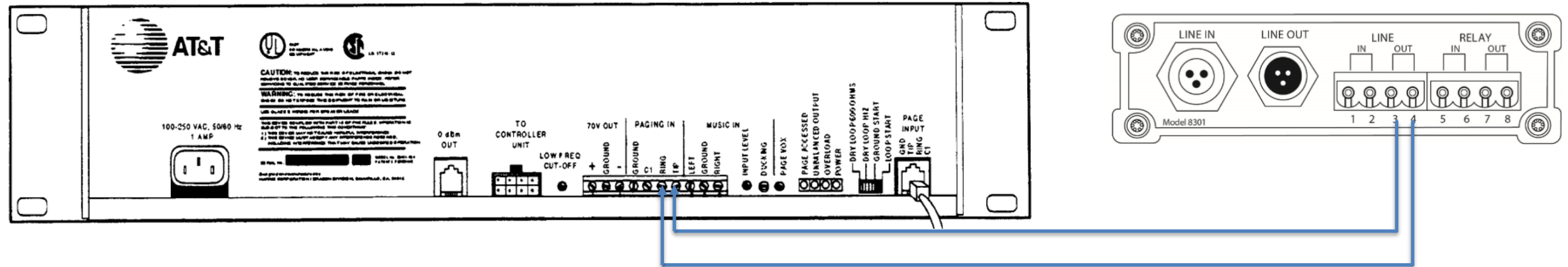
On the 8301 web interface, go to Basic Settings -> Features and set the Line Out Analog Output Level to "0dBm 600 ohm (0.775 Vrms)".

8301 Installation with AT&T PagePac 20 PowerMate



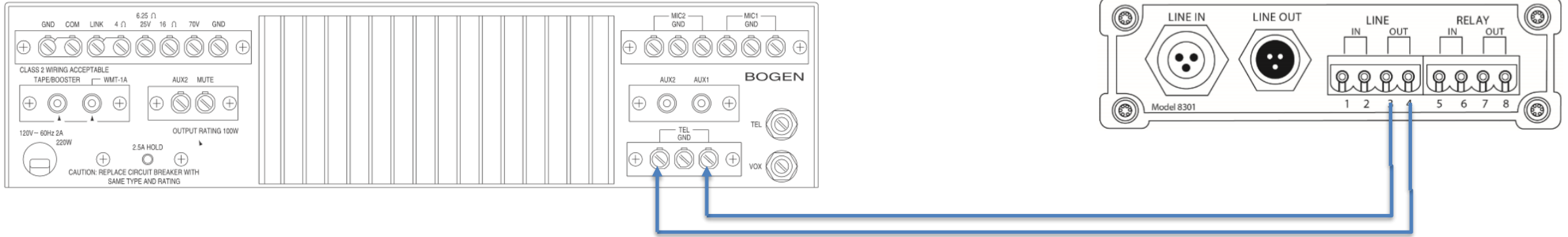
On the 8301 web interface, go to Basic Settings -> Features and set the Line Out Analog Output Level to "0dBm 600 ohm (0.775 Vrms)".

8301 Installation with AT&T PagePac Plus Amplicenter

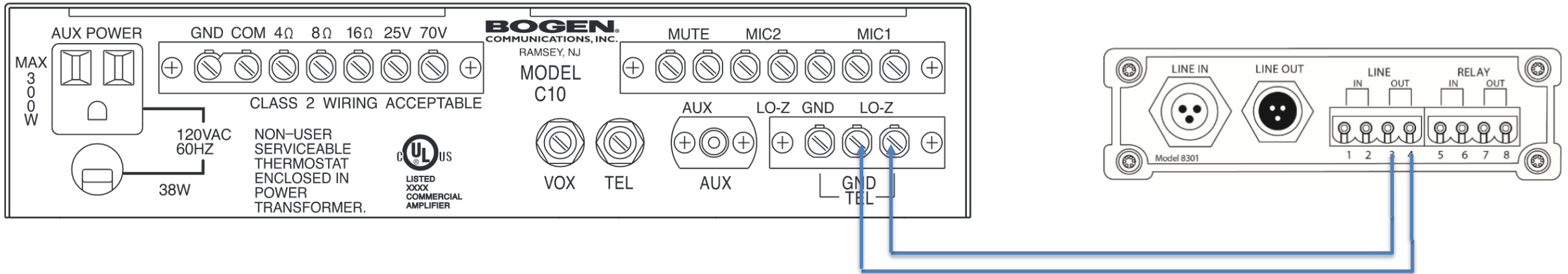


On the 8301 web interface, go to Basic Settings -> Features and set the Line Out Analog Output Level to "0dBm 600 ohm (0.775 Vrms)".

8301 Installation with Bogen C35/C60/C100

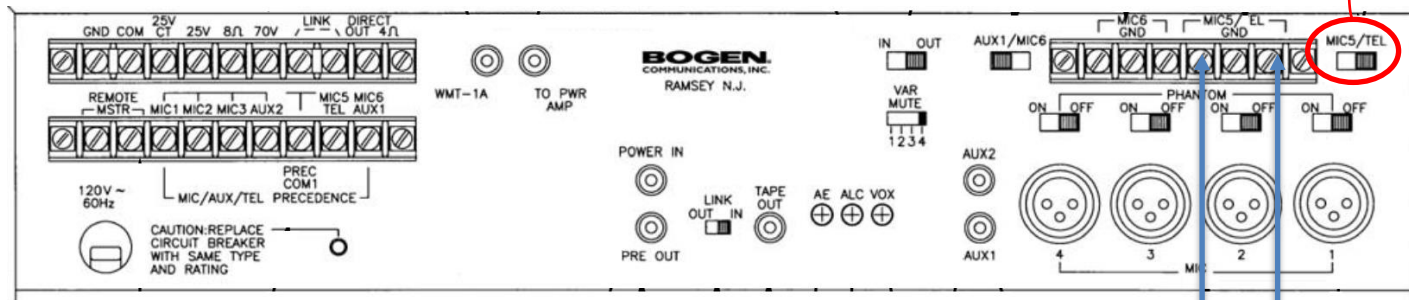


On the 8301 web interface, go to Basic Settings -> Features and set the Line Out Analog Output Level to "0dBm 600 ohm (0.775 Vrms)".

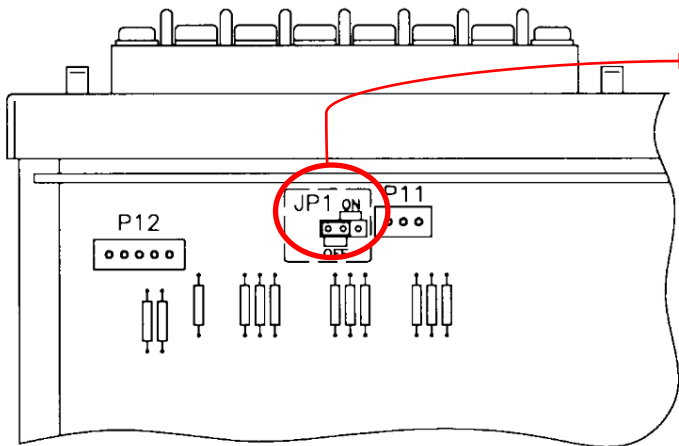
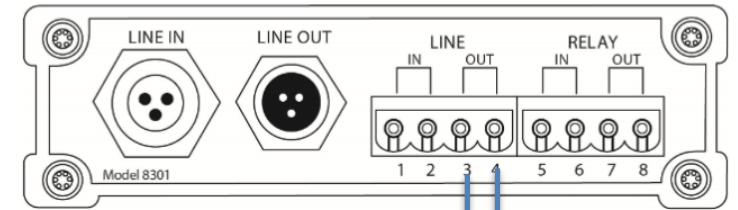


On the 8301 web interface, go to Basic Settings -> Features and set the Line Out Analog Output Level to "0dBm 600 ohm (0.775 Vrms)".

8301 Installation with Bogen GS35/GS60/GS100 & GS150/GS250



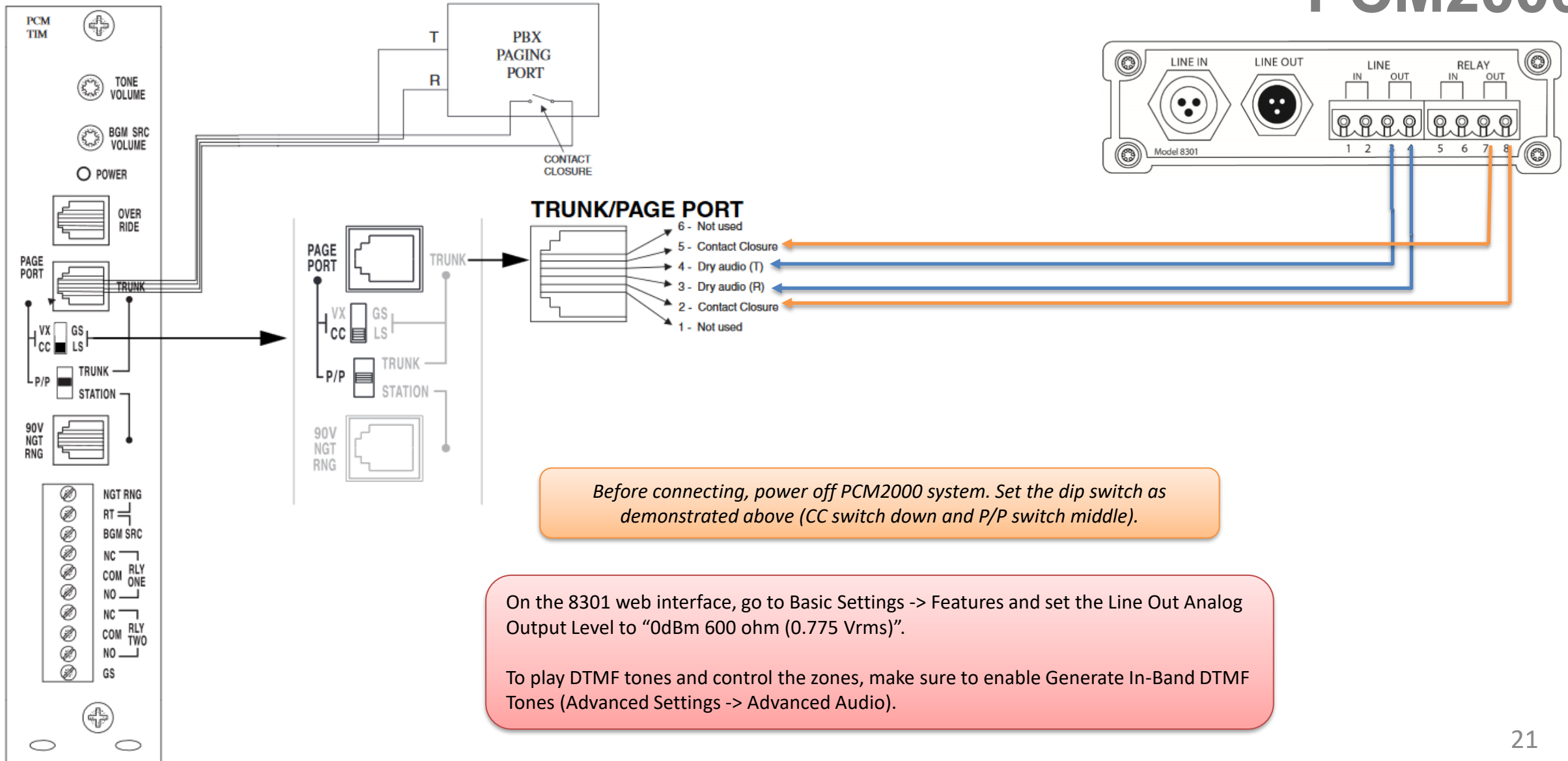
Set the switch to the "TEL" position



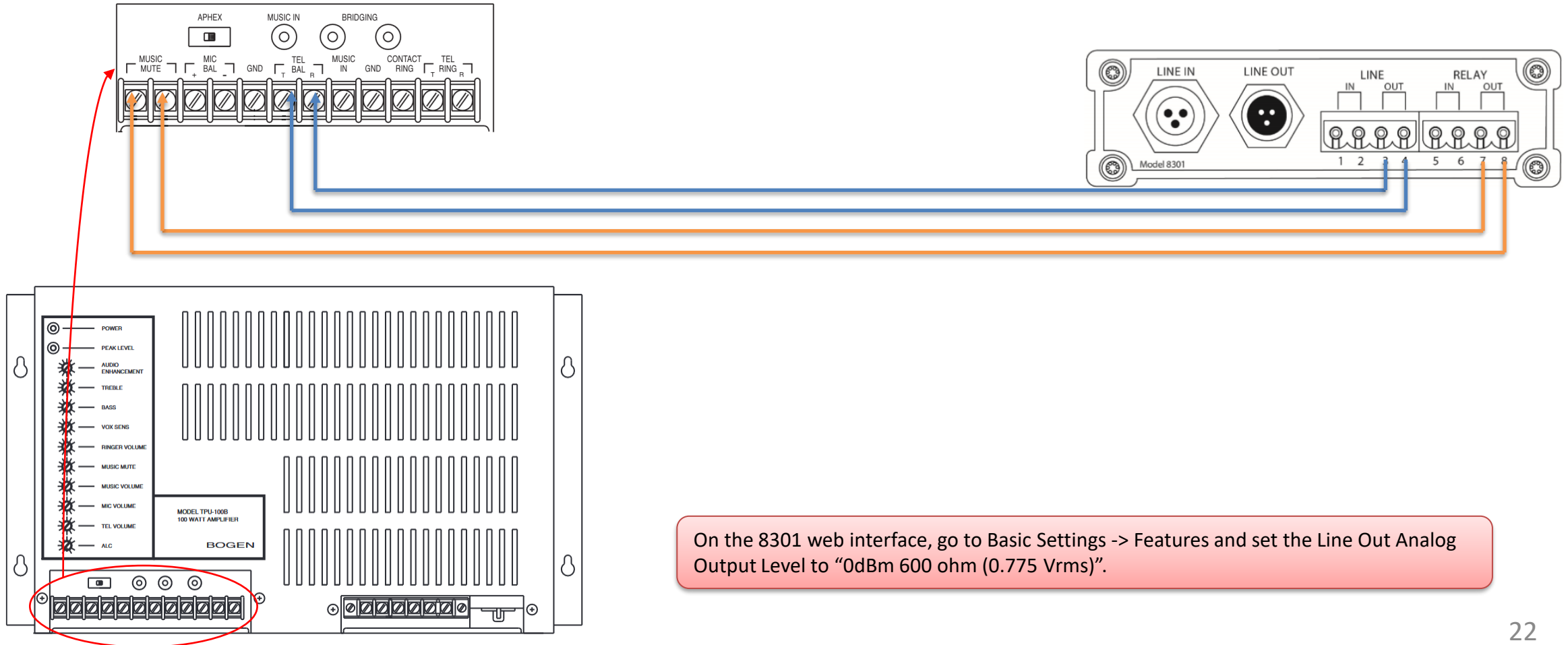
Ensure JP1 Phantom Power Jumper is in the OFF position

On the 8301 web interface, go to Basic Settings -> Features and set the Line Out Analog Output Level to "0dBm 600 ohm (0.775 Vrms)".

8301 Installation with Bogen PCM2000

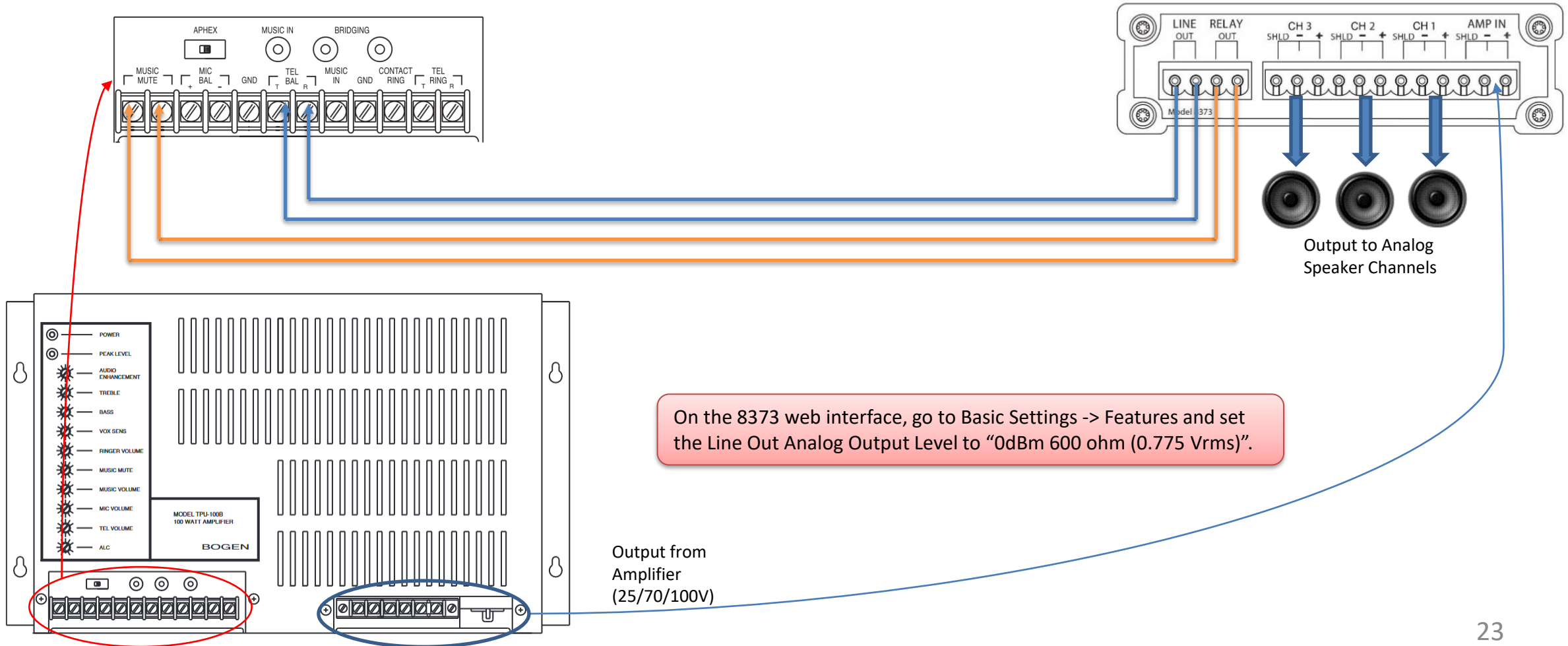


8301 Installation with Bogen TPU-35/60/100/250

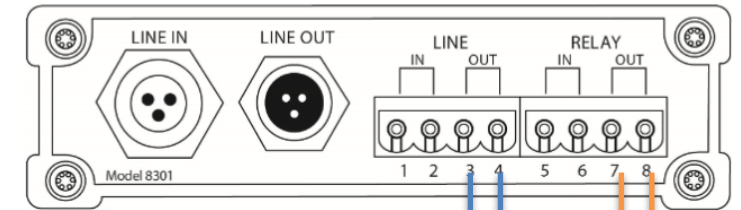
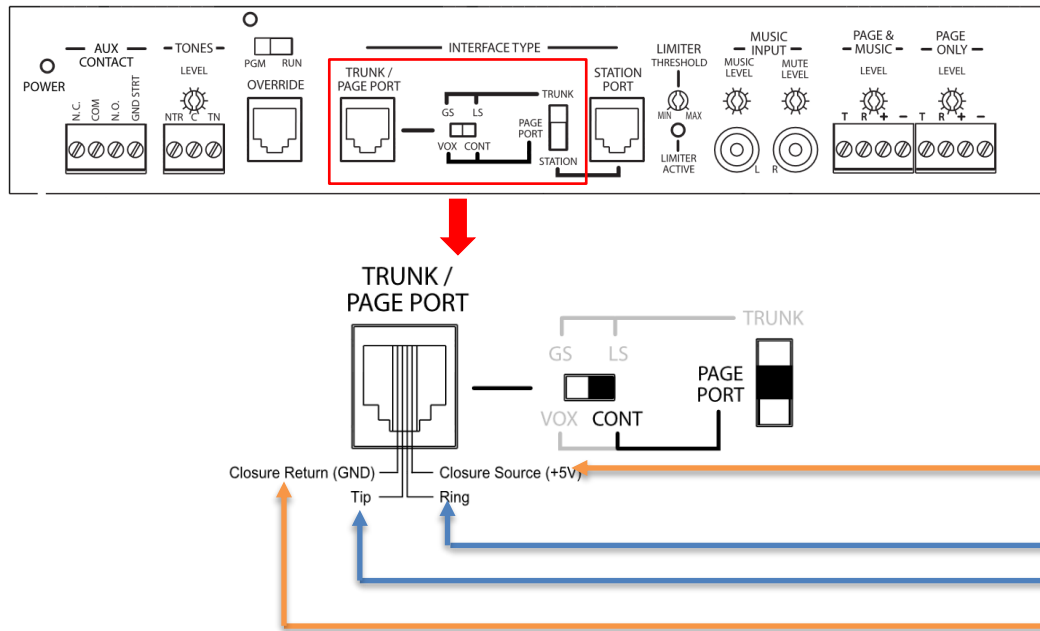


On the 8301 web interface, go to Basic Settings -> Features and set the Line Out Analog Output Level to "0dBm 600 ohm (0.775 Vrms)".

8373 Installation with Bogen TPU-35/60/100/250



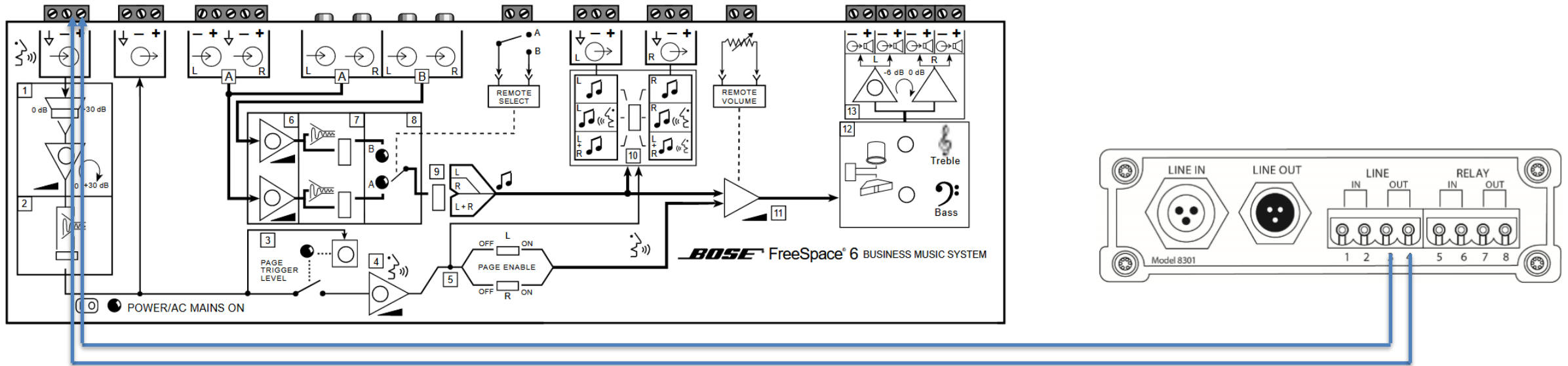
8301 Installation with Bogen UTI1



Set the horizontal switch to "CONT" and the vertical to "Page Port".

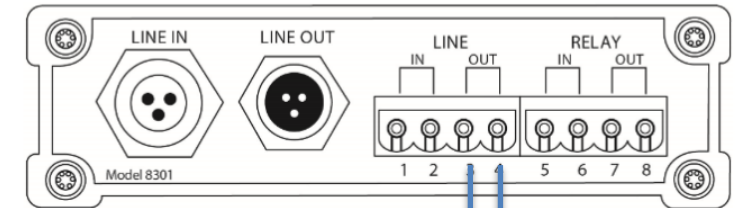
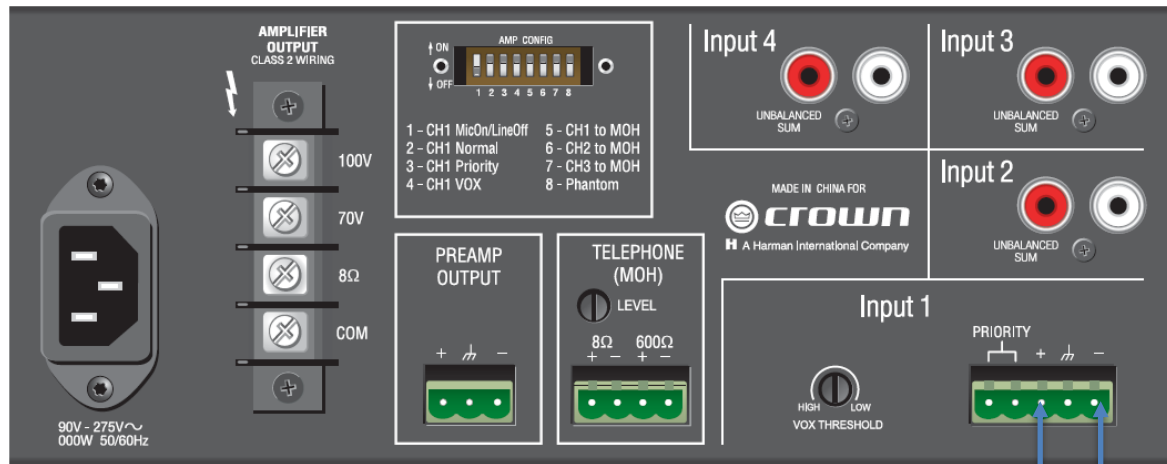
On the 8301 web interface, go to Basic Settings -> Features and set the Line Out Analog Output Level to "0dBm 600 ohm (0.775 Vrms)".

8301 Installation with Bose FreeSpace 6



On the 8301 web interface, go to Basic Settings -> Features and set the Line Out Analog Output Level to “-10dBm 600 ohm (0.245 Vrms)”.

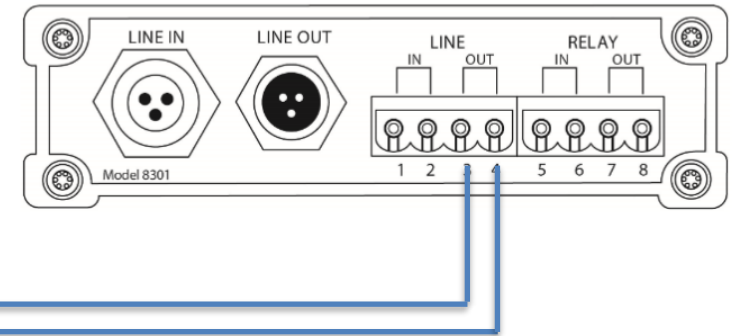
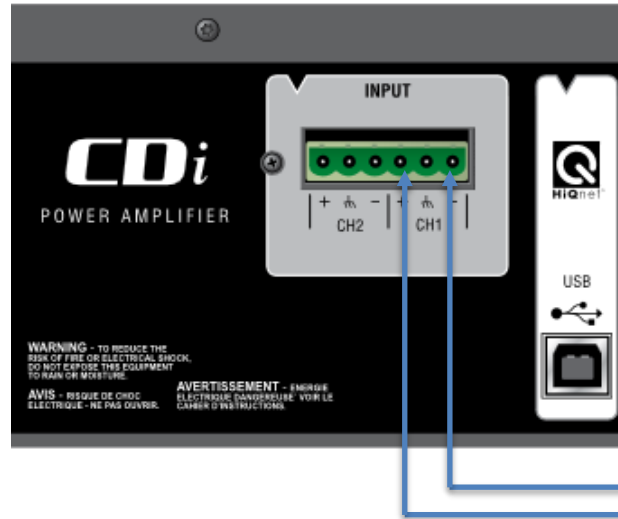
8301 Installation with Crown 135MA/160MA



Set switch 1 to "Line" position.

On the 8301 web interface, go to Basic Settings -> Features and set the Line Out Analog Output Level to "0dBv 10k (1.0 Vrms)".

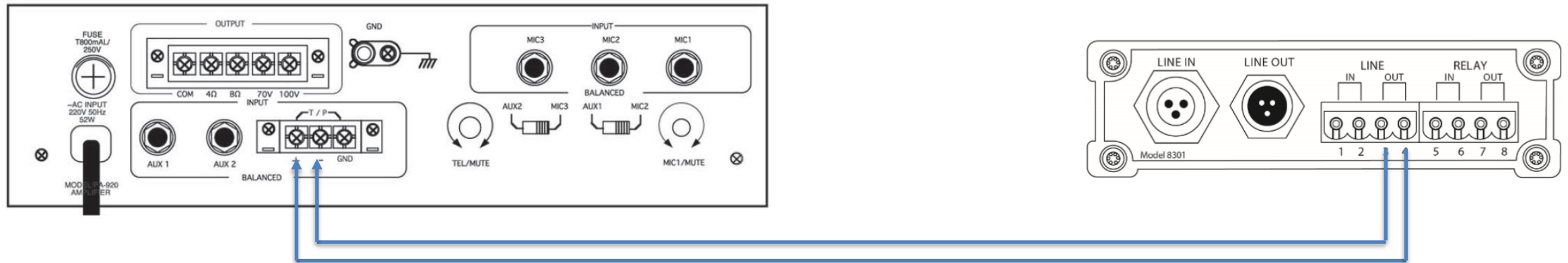
8301 Installation with Crown CDI 1000/2000/4000



On the 8301 web interface, go to Basic Settings -> Features and set the Line Out Analog Output Level to “+4dBu 10k (1.23 Vrms)”.

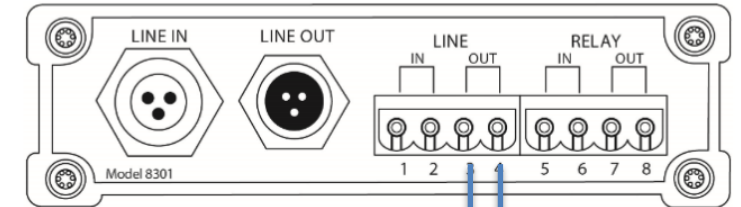
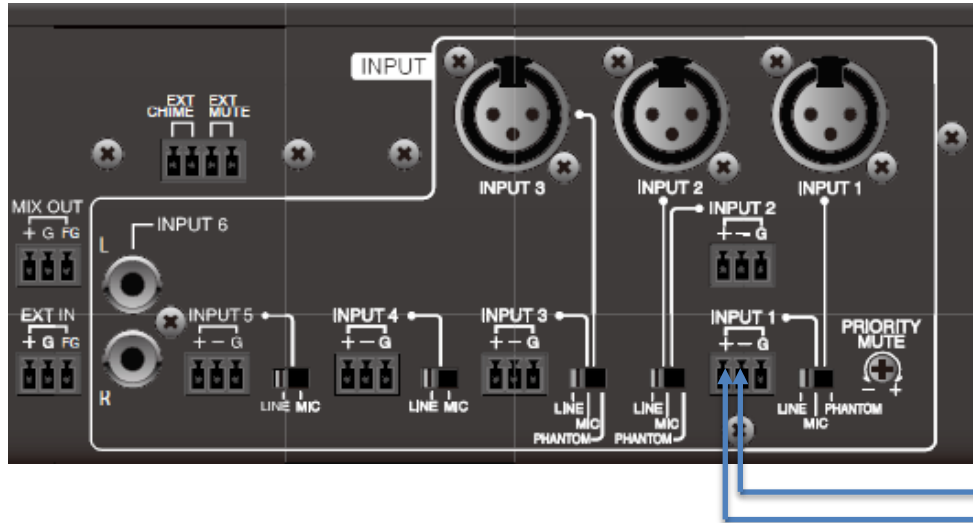
Note: Channel 1 or 2 may be used.

8301 Installation with Inter-M PA-920/935



On the 8301 web interface, go to Basic Settings -> Features and set the Line Out Analog Output Level to "0dBm 600 ohm (0.775 Vrms)".

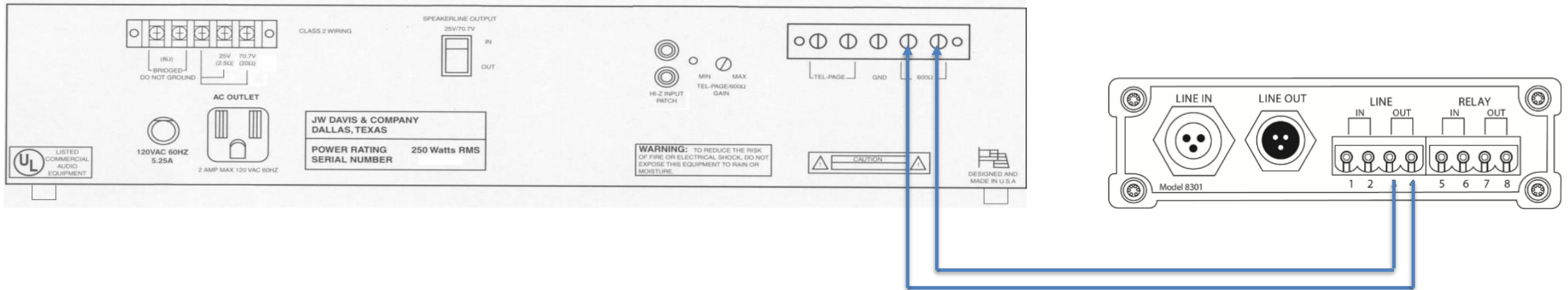
8301 Installation with Inter-M PA-60/120/240



Connect the Line Out pair on the 8301 to the + and – terminals on one of the Inter-M inputs. Move the input selection switch to the “Line” position.

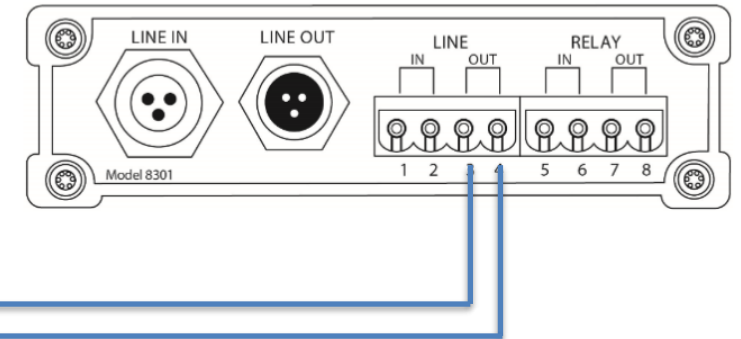
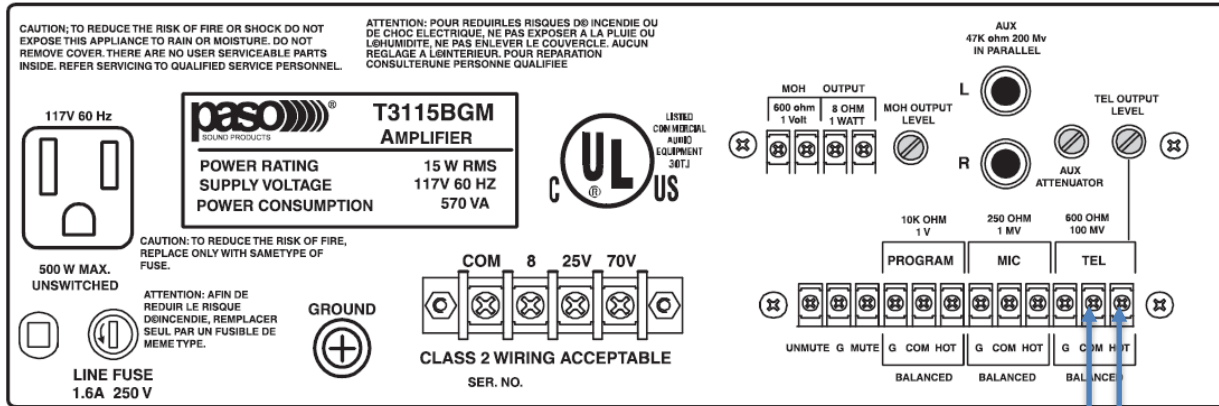
On the 8301 web interface, go to Basic Settings -> Features and set the Line Out Analog Output Level to “0dBm 600 ohm (0.775 Vrms)”.

8301 Installation with JW Davis D-250 AL



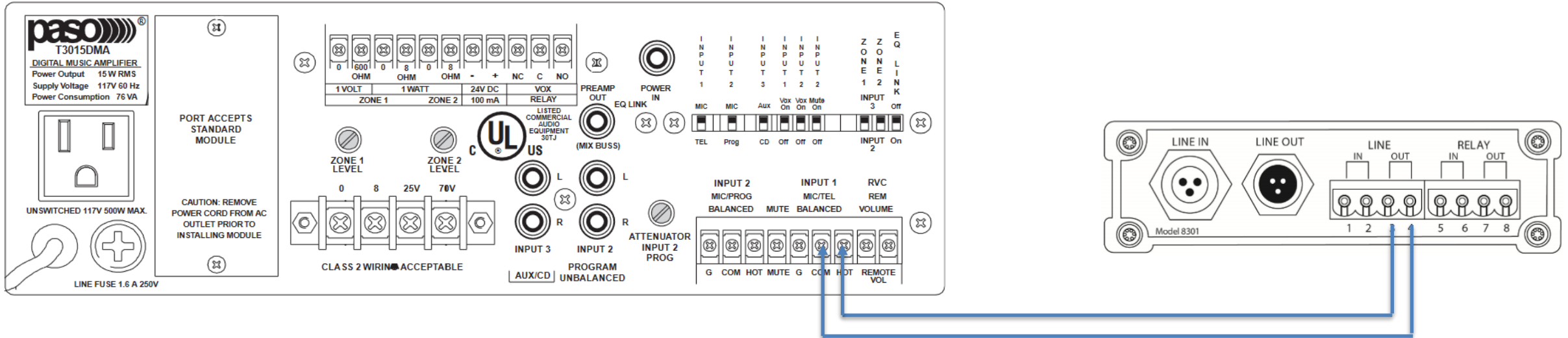
On the 8301 web interface, go to Basic Settings -> Features and set the Line Out Analog Output Level to "0dBm 600 ohm (0.775 Vrms)".

8301 Installation with Paso 3000 Series BGM (Muzak 3000)



On the 8301 web interface, go to Basic Settings -> Features and set the Line Out Analog Output Level to "0dBm 600 ohm (0.775 Vrms)".

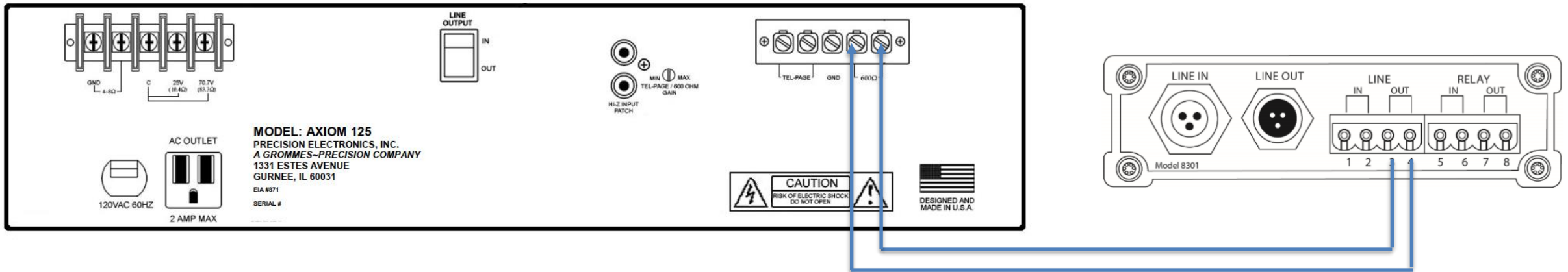
8301 Installation with Paso T3015DMA/T3030DMA



Set Input 1 Selector to "Tel" and "VOX On" Position.

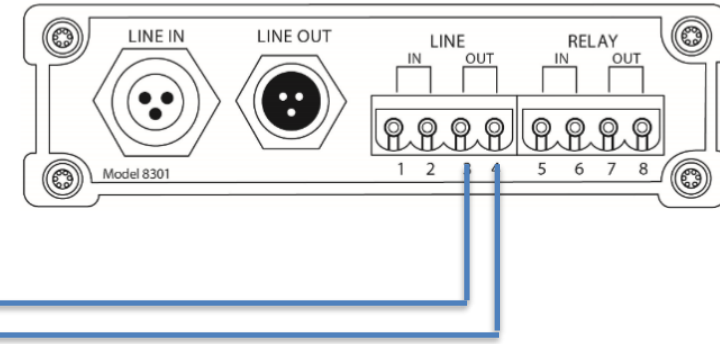
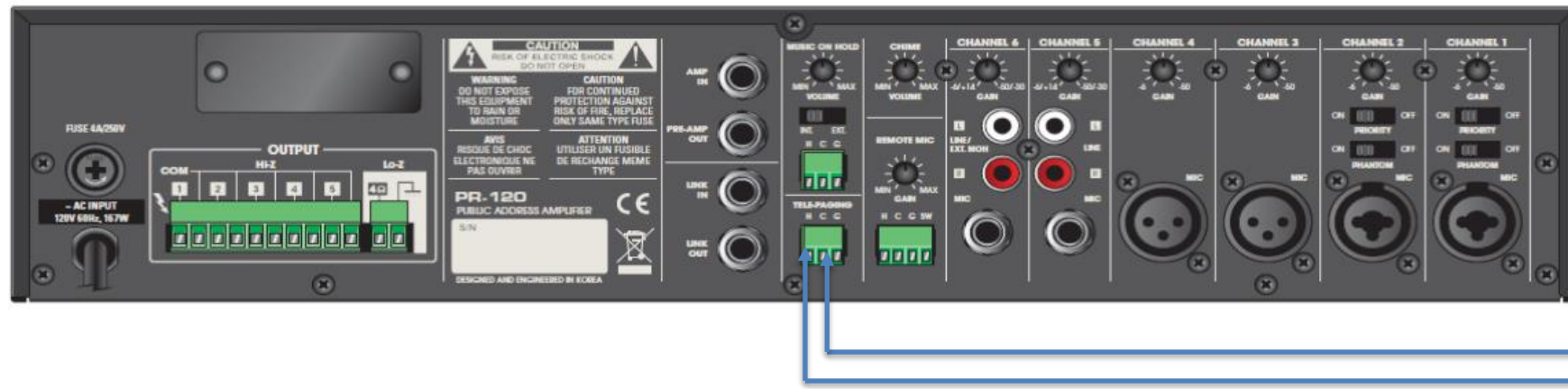
On the 8301 web interface, go to Basic Settings -> Features and set the Line Out Analog Output Level to "0dBm 600 ohm (0.775 Vrms)".

8301 Installation with Precision Electronics Axiom 60/125/250/500



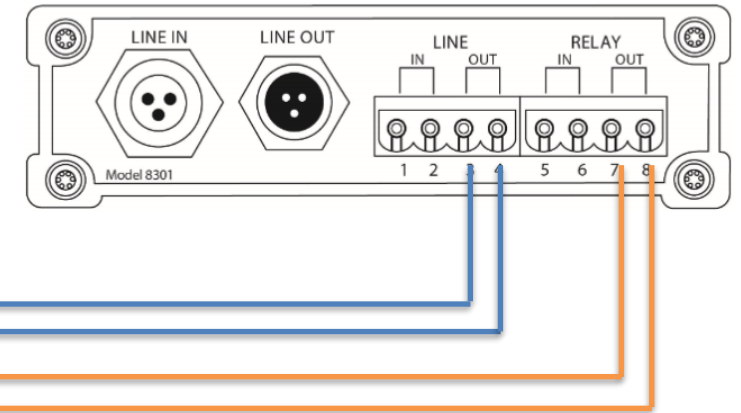
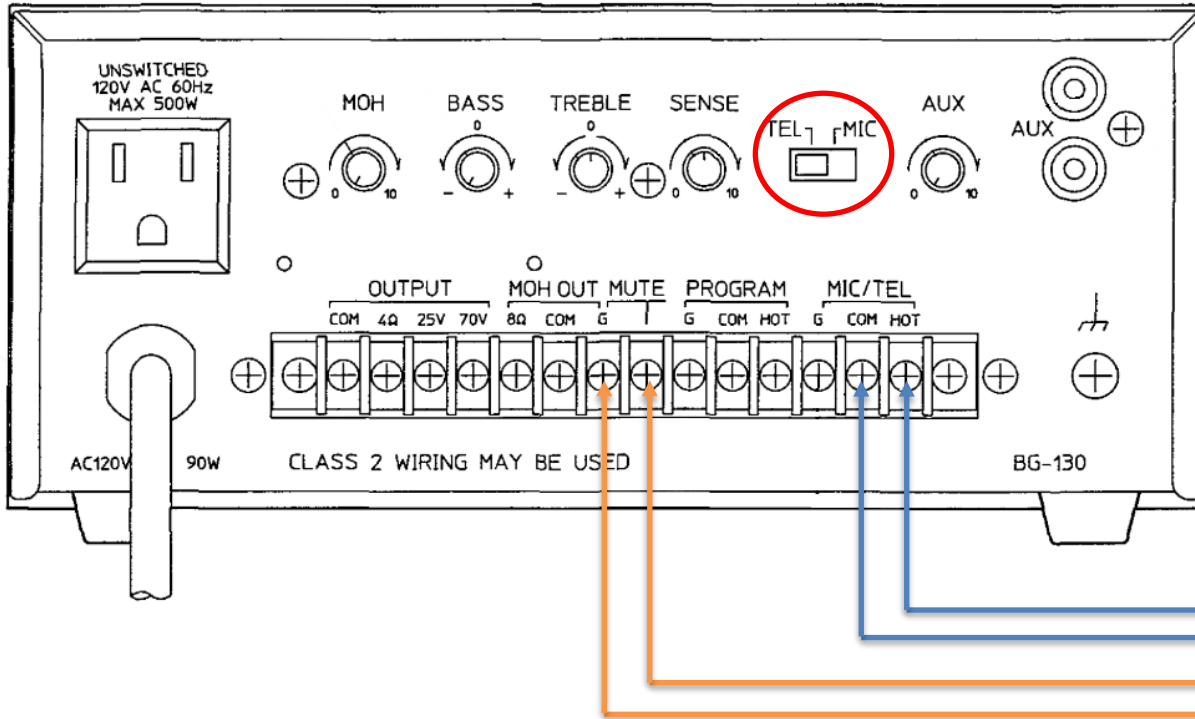
On the 8301 web interface, go to Basic Settings -> Features and set the Line Out Analog Output Level to "0dBm 600 ohm (0.775 Vrms)".

8301 Installation with Quest Commercial PR-120/PR-240



On the 8301 web interface, go to Basic Settings -> Features and set the Line Out Analog Output Level to "0dBm 600 ohm (0.775 Vrms)".

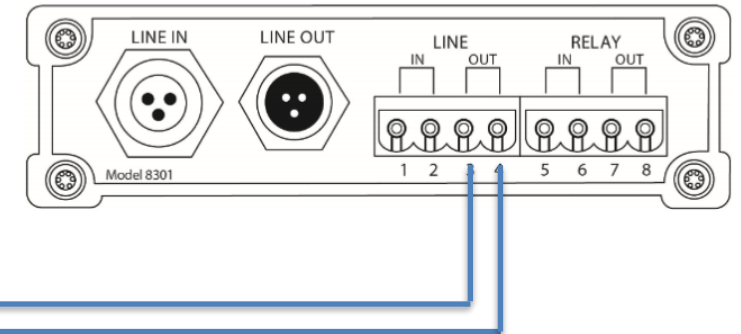
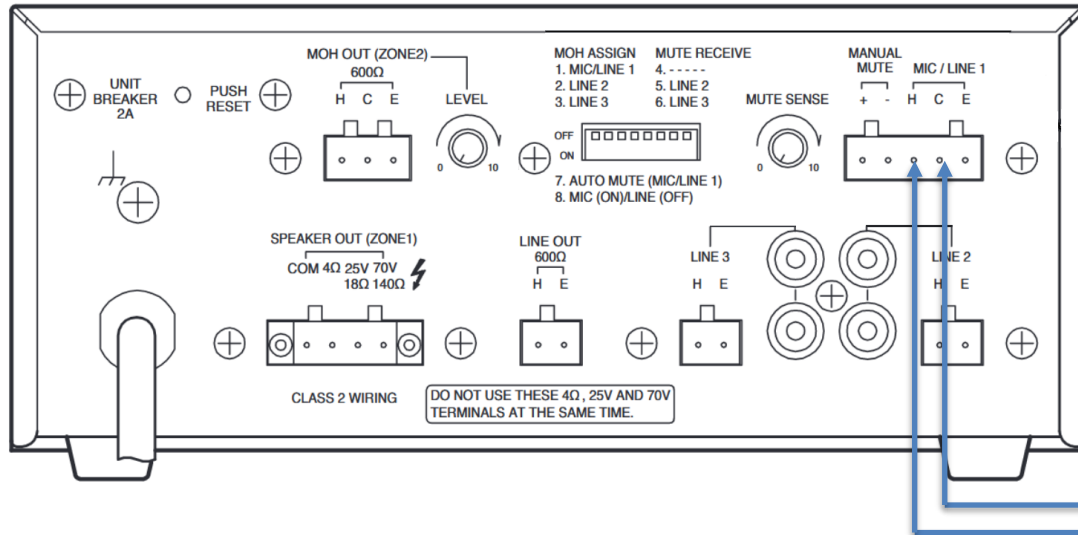
8301 Installation with TOA BG-115/130



Set the highlighted switch to the TEL position.

On the 8301 web interface, go to Basic Settings -> Features and set the Line Out Analog Output Level to "0dBm 600 ohm (0.775 Vrms)".

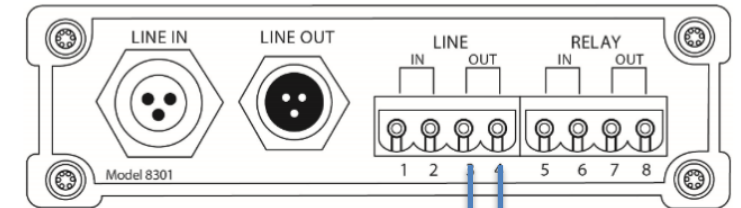
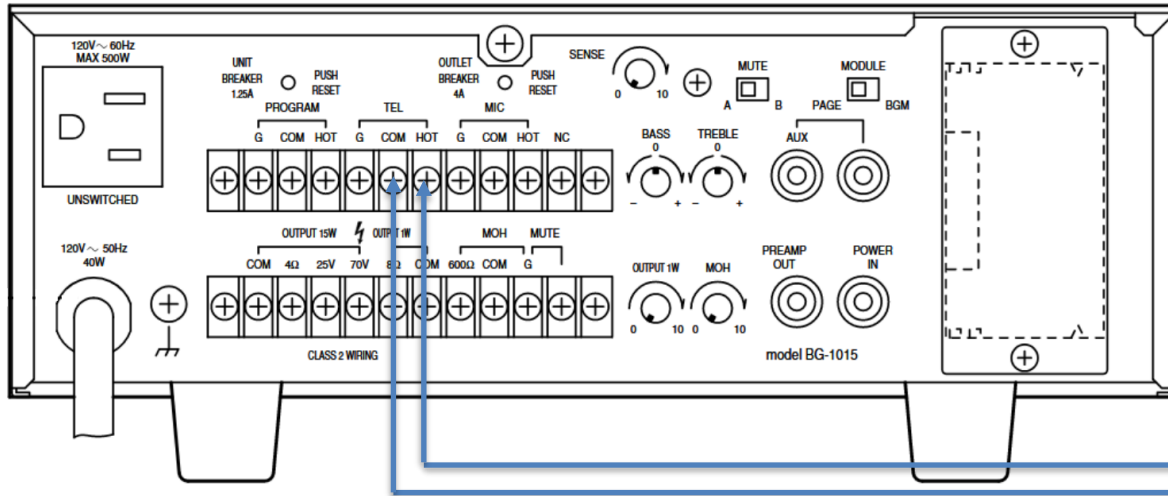
8301 Installation with TOA BG-220/235



Set DIP switch 8 to the OFF position and be sure to turn off the power before performing this step.

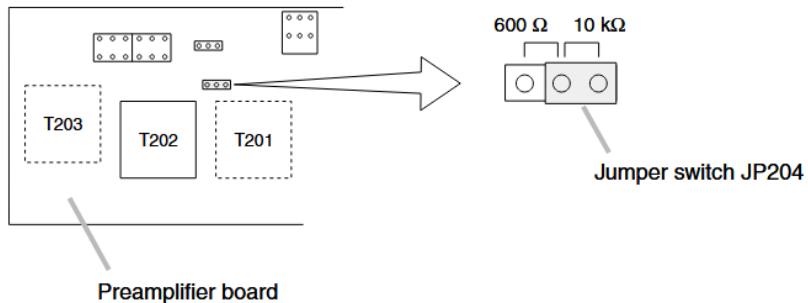
On the 8301 web interface, go to Basic Settings -> Features and set the Line Out Analog Output Level to “-10dBm 600 ohm (0.245 Vrms)”.

8301 Installation with TOA BG-1015/1030/1060/1120

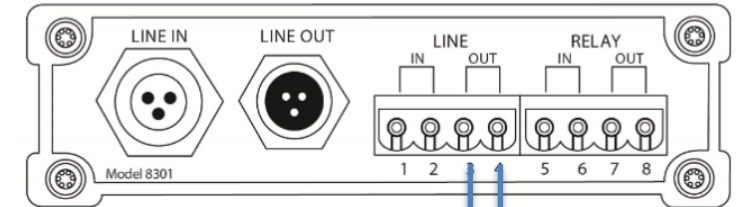
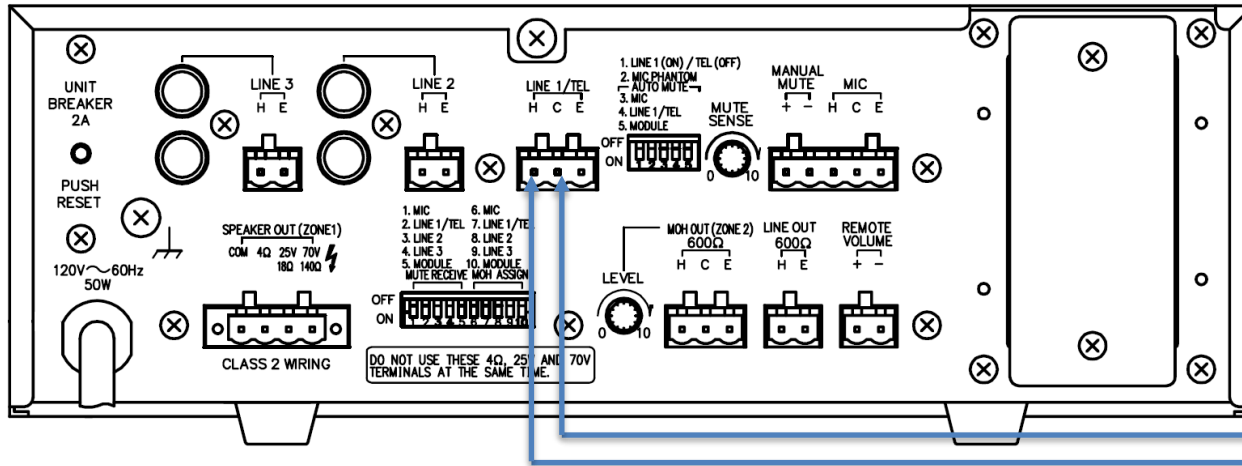


The impedance is set from factory to 10 kΩ. To switch to 600 Ω, change the position of the unit's internal jumper switch JP204 as per diagram below.

On the 8301 web interface, go to Basic Settings -> Features and set the Line Out Analog Output Level to "0dBm 600 ohm (0.775 Vrms)".



8301 Installation with TOA BG-2035/2060/2120



Set the DIP switches as per below:

Function Switches A (upper terminal)

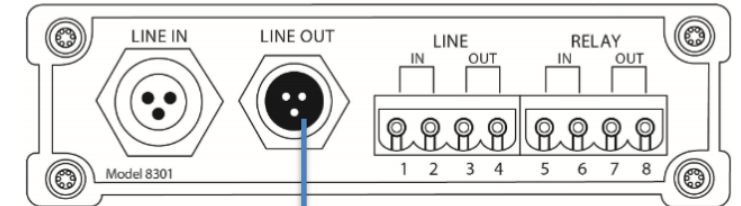
- Switch 1 – On
- Switch 4 – On

Function Switches B (lower terminal)

- DIP Switch 2 – Off

On the 8301 web interface, go to Basic Settings -> Features and set the Line Out Analog Output Level to “-10dBV 10k (0.316 Vrms)”.

8301 Installation with TOA 500 Series



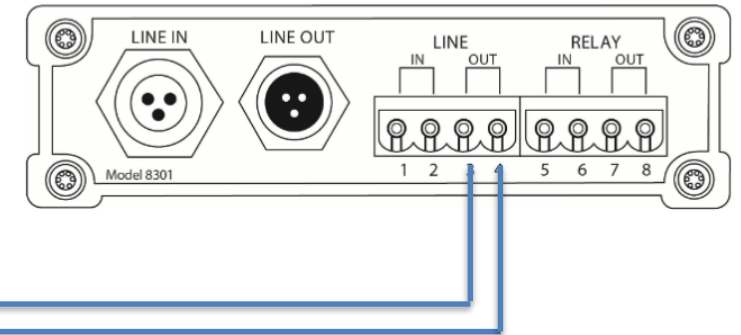
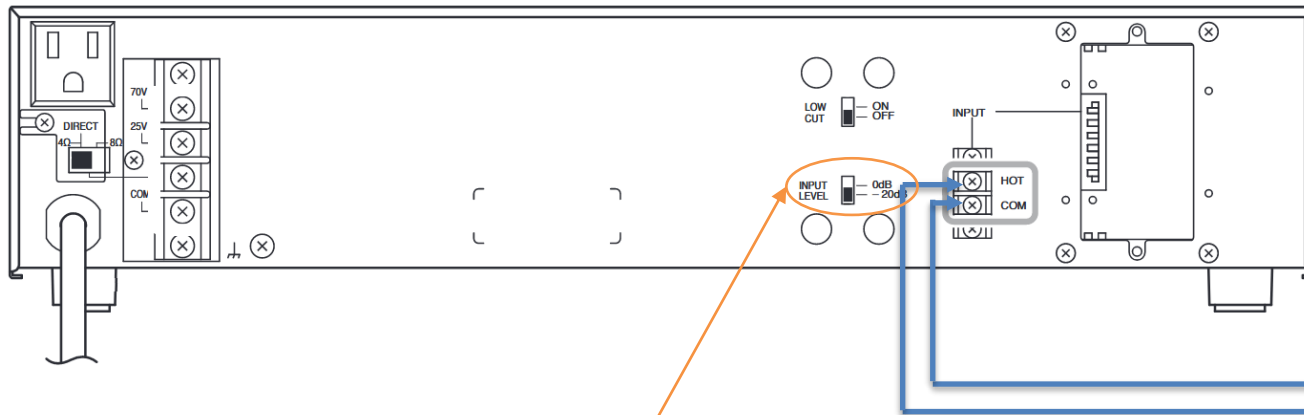
Set the Phantom switch above the input to the off position.

Recommended: Algo 2504 Output XLR-Mini Female to XLR Male adapter cable

On the 8301 web interface, go to Basic Settings -> Features and set the Line Out Analog Output Level to “-10dBm 600 ohm (0.245 Vrms)”.

8301 Installation with TOA 900 Series

Models P-906MK2, P-912MK2, P-924MK2



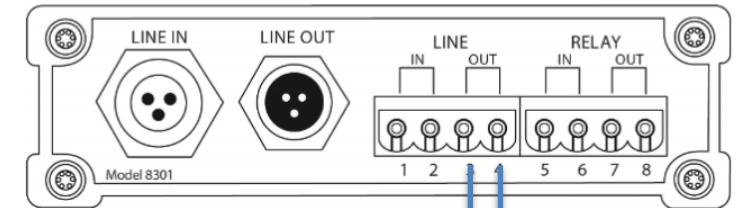
Set the Input Level DIP switch to 0dB.

On the 8301 web interface, go to Basic Settings -> Features and set the Line Out Analog Output Level to "0dBV 10k (1.0 Vrms)".

**Alternatively, use the TOA L-01 Series Line Matching Input plug-in module to connect the 8301 Line Out.*

8301 Installation with TOA 900 Series

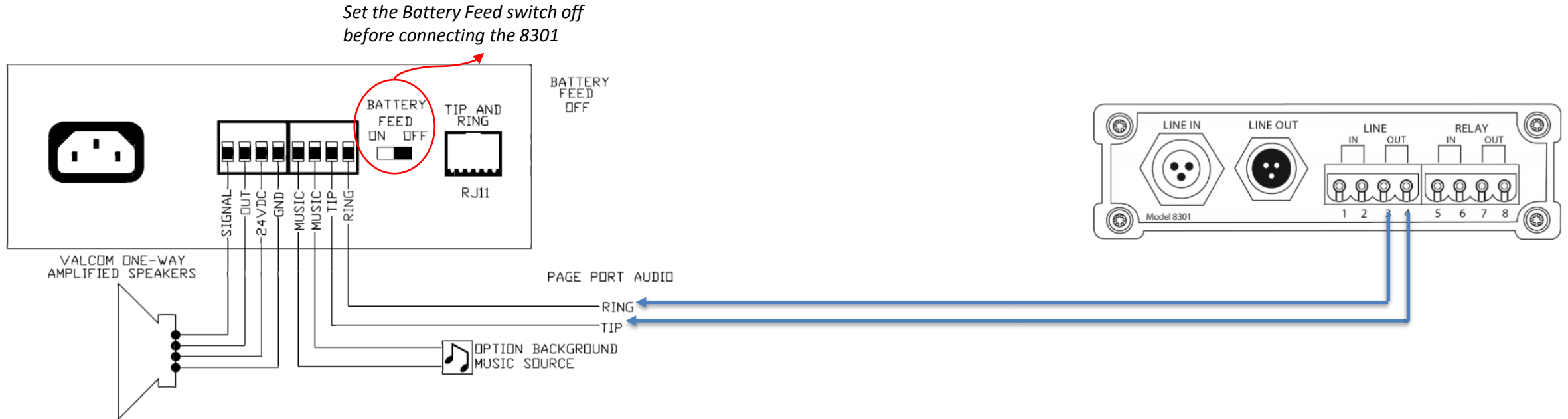
Models A-903MK2, A-906MK2, A-912MK2



Use the L-01 Series Line Matching Input Module. Connect the 8301 Line Out to H and C inputs.

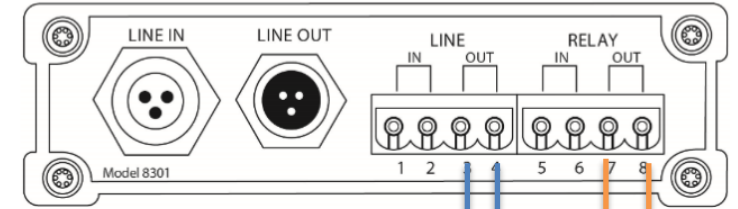
On the 8301 web interface, go to Basic Settings -> Features and set the Line Out Analog Output Level to "0dBm 600 ohm (0.775 Vrms)".

8301 Installation with Valcom V-2000a

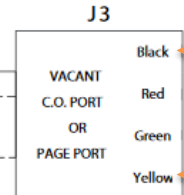
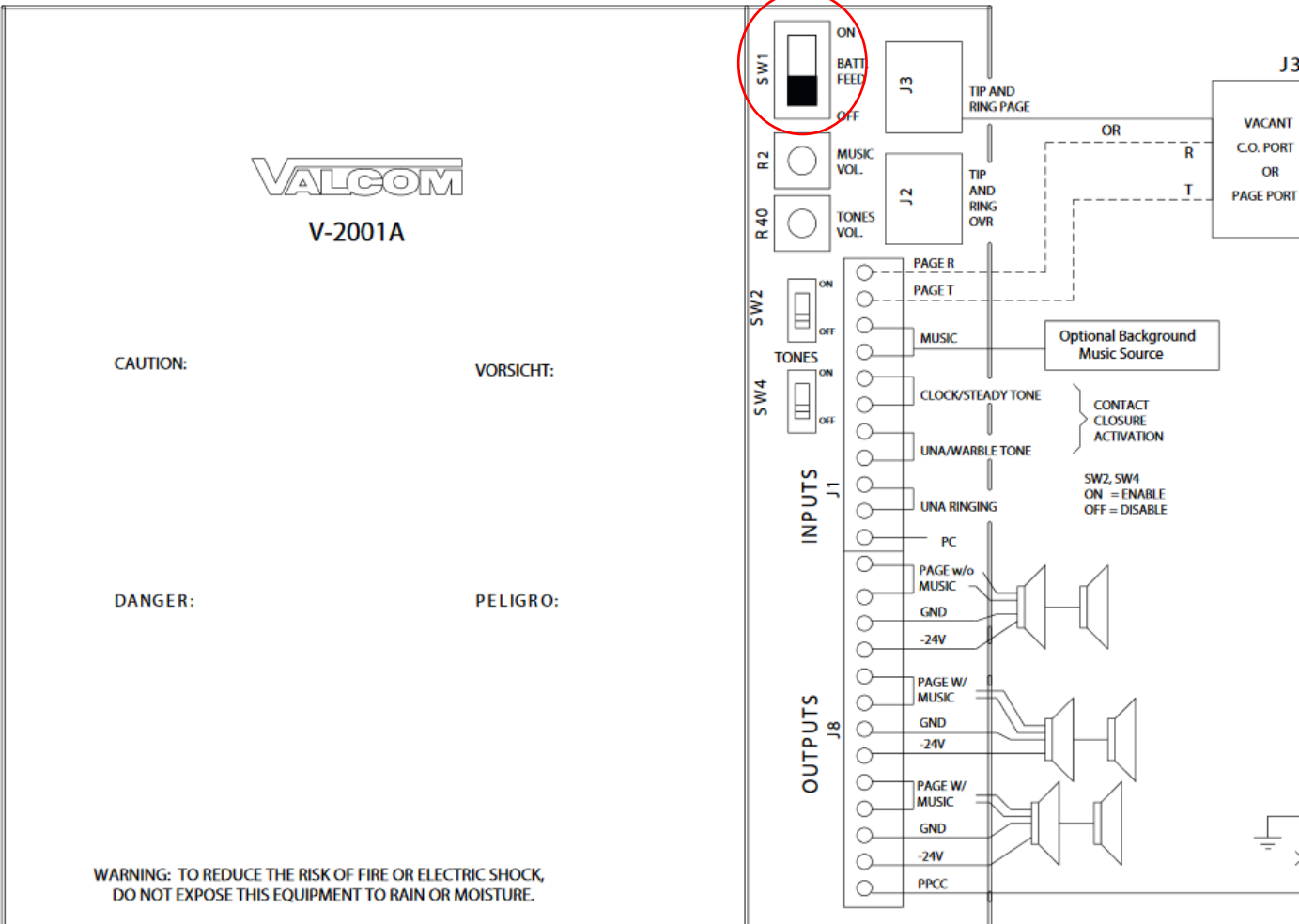


On the 8301 web interface, go to Basic Settings -> Features and set the Line Out Analog Output Level to “-10dBm 600 ohm (0.245 Vrms)”.

8301 Installation with Valcom V-2001a



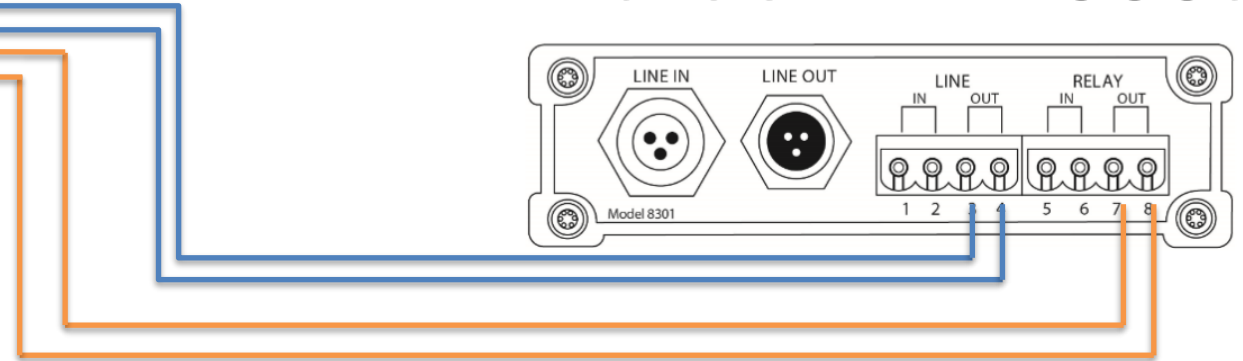
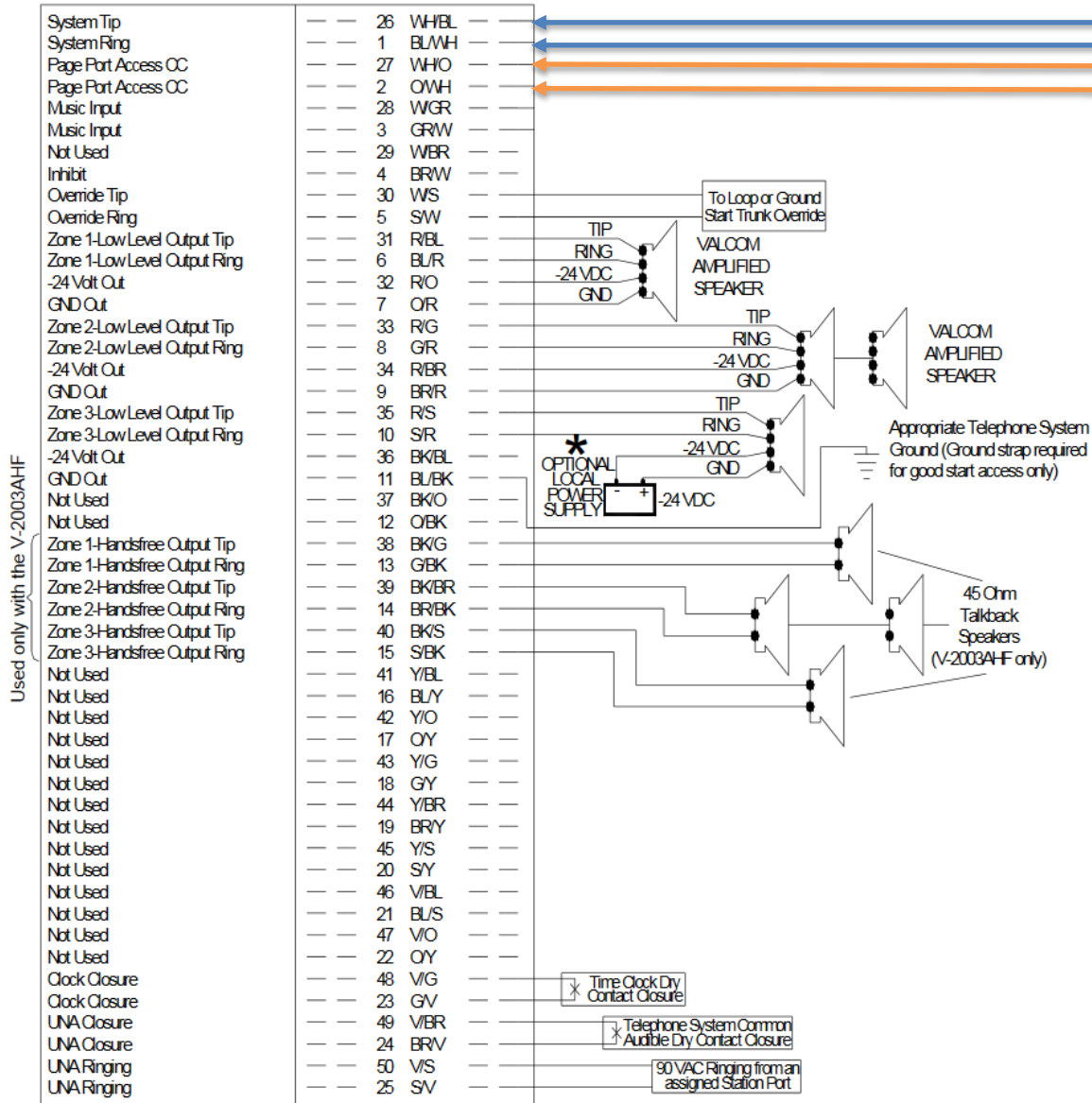
SW1 Off for Page Port Access



The 8301 Line Out (terminal 3 and 4) connects to either the Tip and J3) using an RJ11 modular connector or the Page T and Page R inputs on the Valcom V-2001A via a 2-wire connection to the terminal strip.

On the 8301 web interface, go to Basic Settings -> Features and set the Line Out Analog Output Level to "-10dBm 600 ohm (0.245 Vrms)".

8301 Installation with Valcom V-2003a

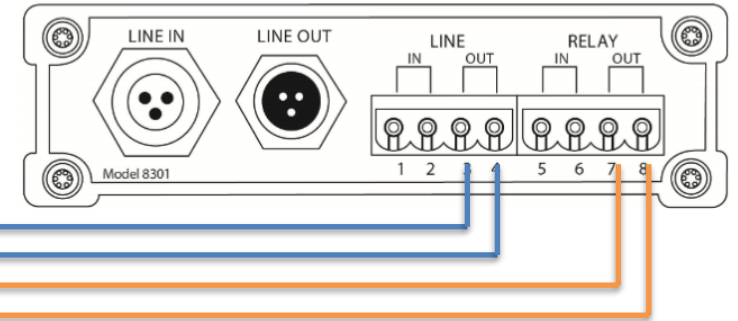
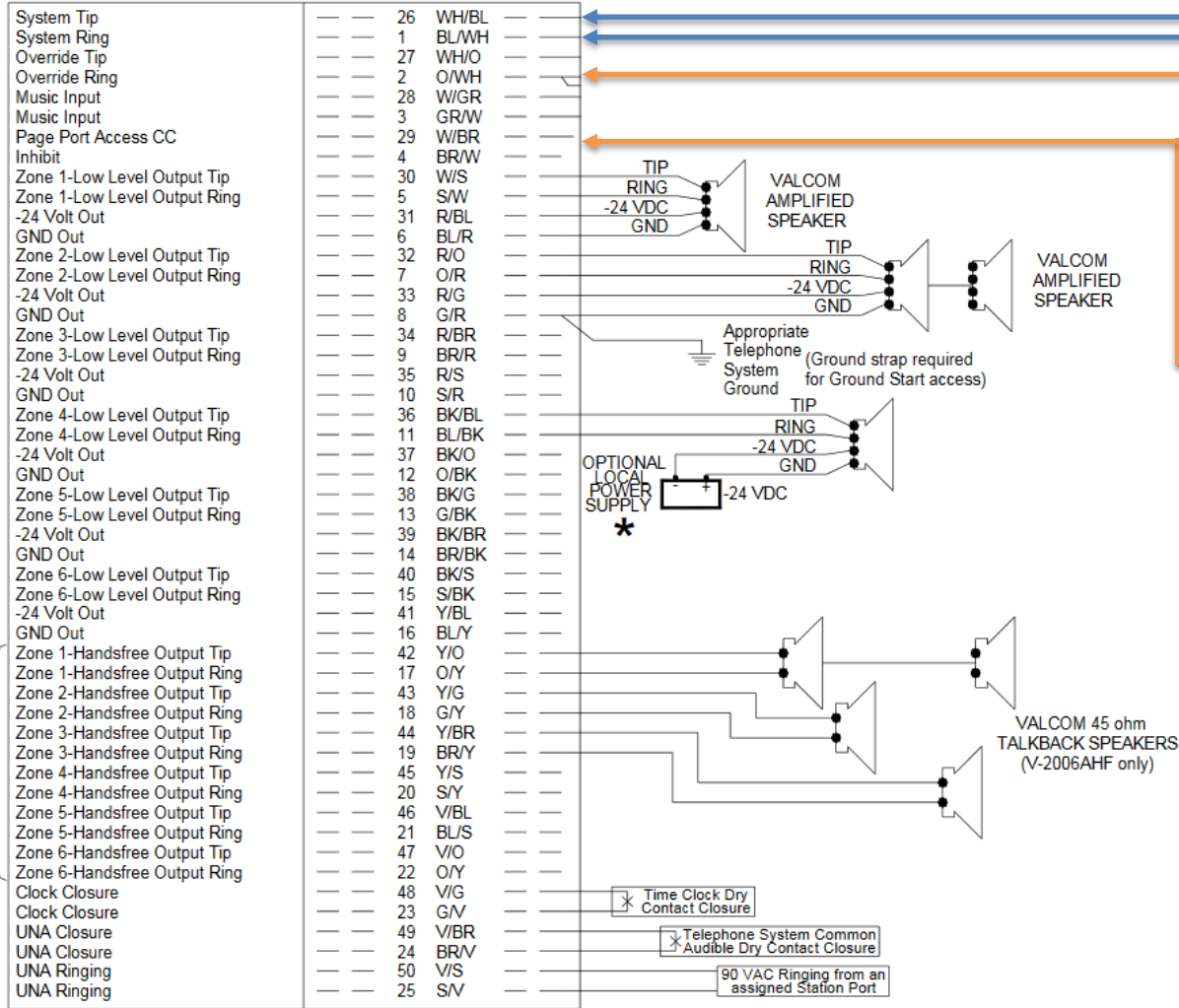


On the Valcom V2003a switch SW3, set 4, 7 and 10 to the off position (up position). Also set SW2 to off position.

On the 8301 web interface, go to Basic Settings -> Features and set the Line Out Analog Output Level to "-10dBm 600 ohm (0.245 Vrms)".

To play DTMF tones and control the zones, make sure to enable Generate In-Band DTMF Tones (Advanced Settings -> Advanced Audio).

8301 Installation with Valcom V-2006a

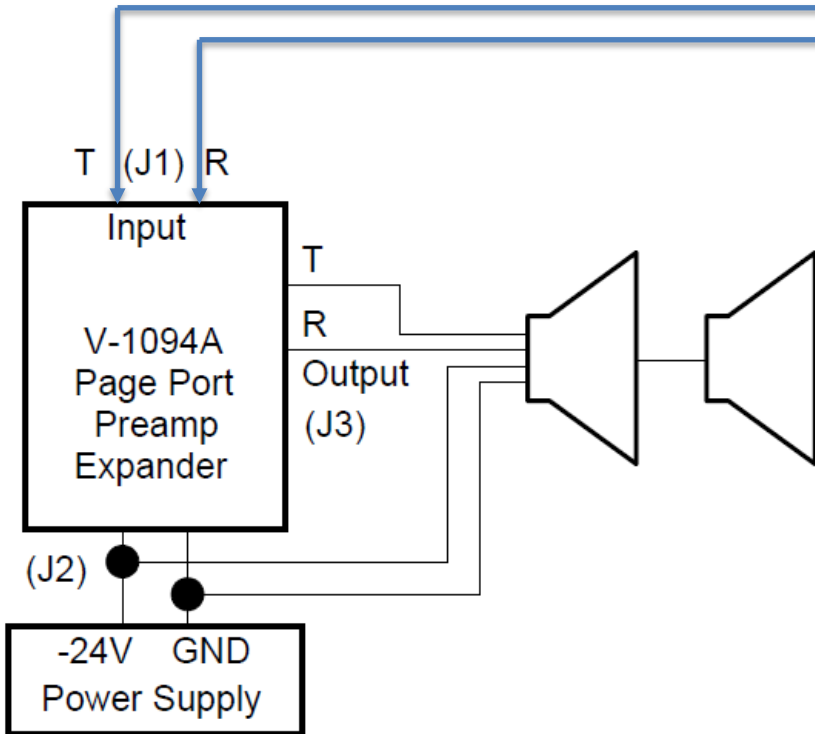
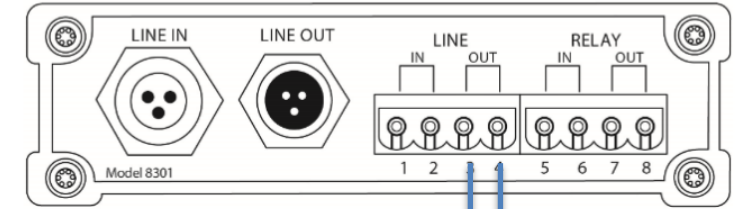


Set the Battery Feed switch to the off position for Page Port access on the V2006a.

On the 8301 web interface, go to Basic Settings -> Features and set the Line Out Analog Output Level to "-10dBm 600 ohm (0.245 Vrms)".

To play DTMF tones and control the zones, make sure to enable Generate In-Band DTMF Tones (Advanced Settings -> Advanced Audio).

8301 Installation with Valcom V-1094A



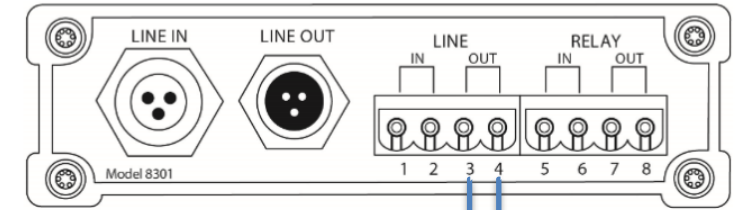
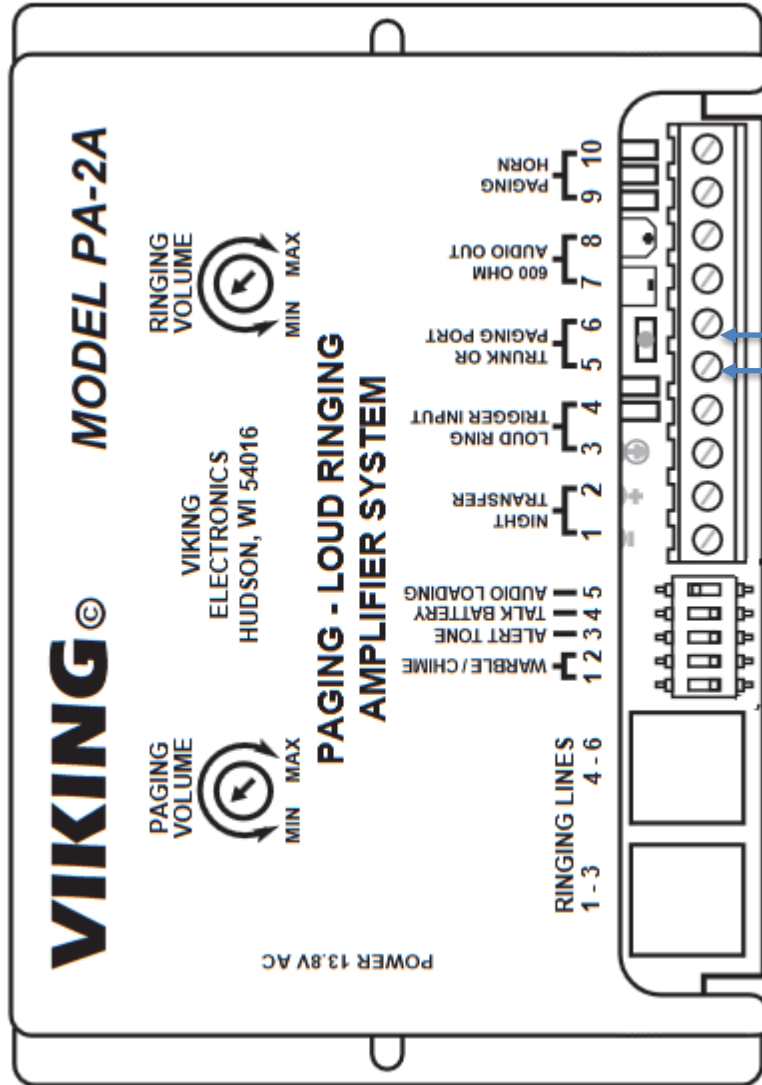
On the 8301 web interface, go to Basic Settings -> Features and set the Line Out Analog Output Level to "0dBm 600 ohm (0.775 Vrms)".

8301 Installation with Valcom VIP-801A



On the 8301 web interface, go to Basic Settings -> Features and set the Line Out Analog Output Level to “-10dBm 600 ohm (0.245 Vrms)”.

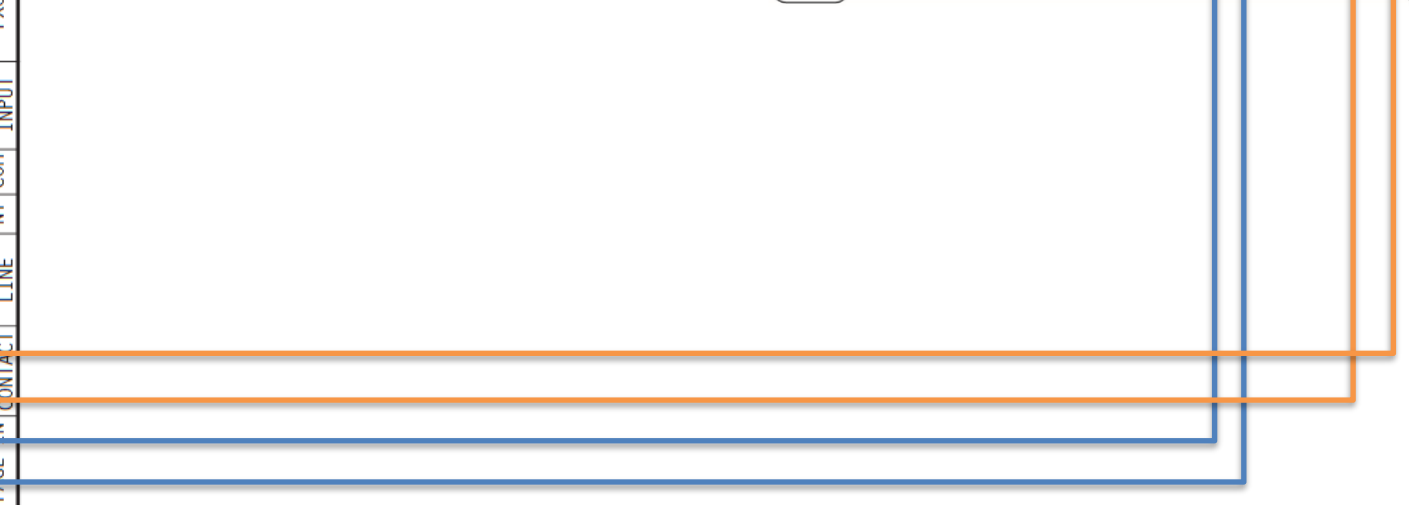
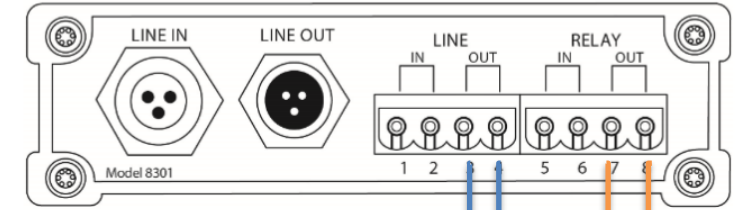
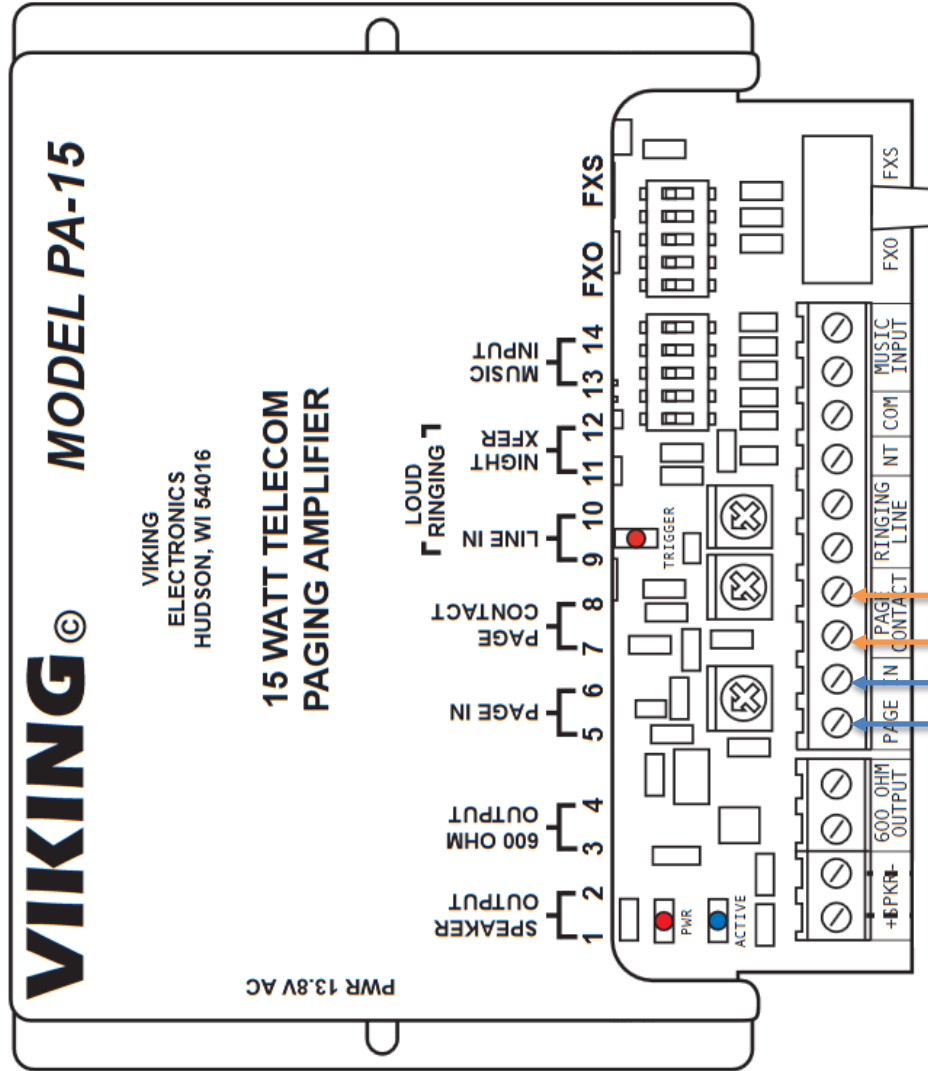
8301 Installation with Viking PA-2A



Set DIP switch 4 for talk battery to the OFF position on the PA-2A to prevent damaging the 8301.

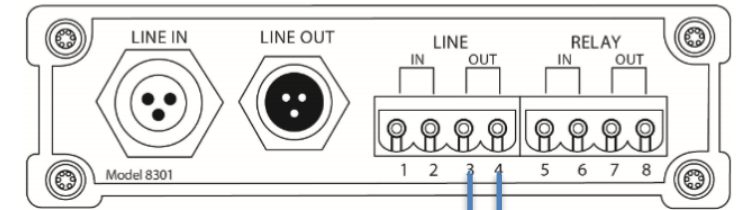
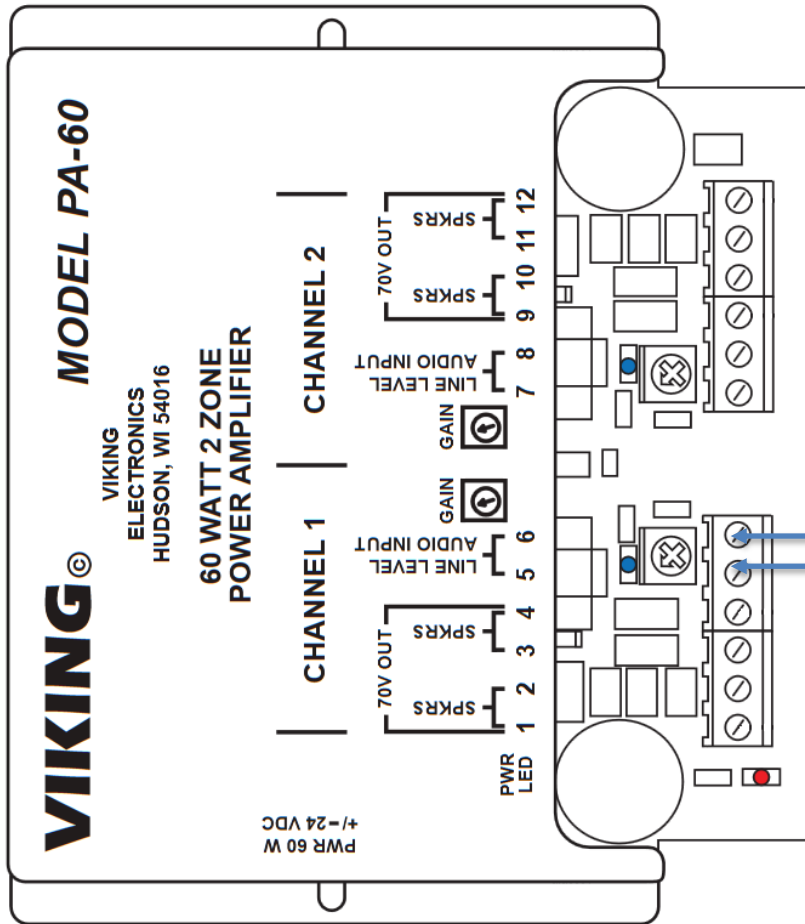
On the 8301 web interface, go to Basic Settings -> Features and set the Line Out Analog Output Level to "0dBm 600 ohm (0.775 Vrms)".

8301 Installation with Viking PA-15



On the 8301 web interface, go to Basic Settings -> Features and set the Line Out Analog Output Level to "0dBm 600 ohm (0.775 Vrms)".

8301 Installation with Viking PA-60



On the 8301 web interface, go to Basic Settings -> Features and set the Line Out Analog Output Level to "0dBm 600 ohm (0.775 Vrms)".

If there are speakers connected to both channels, then an 8301 per channel will be required. One 8301 can be SIP registered and configured to Multicast to the second for zone paging including All Call.

ALGO

Please contact us if there are additional amplifier models you wish to see included in this guide.



Support (604) 454-3792
support@algosolutions.com